

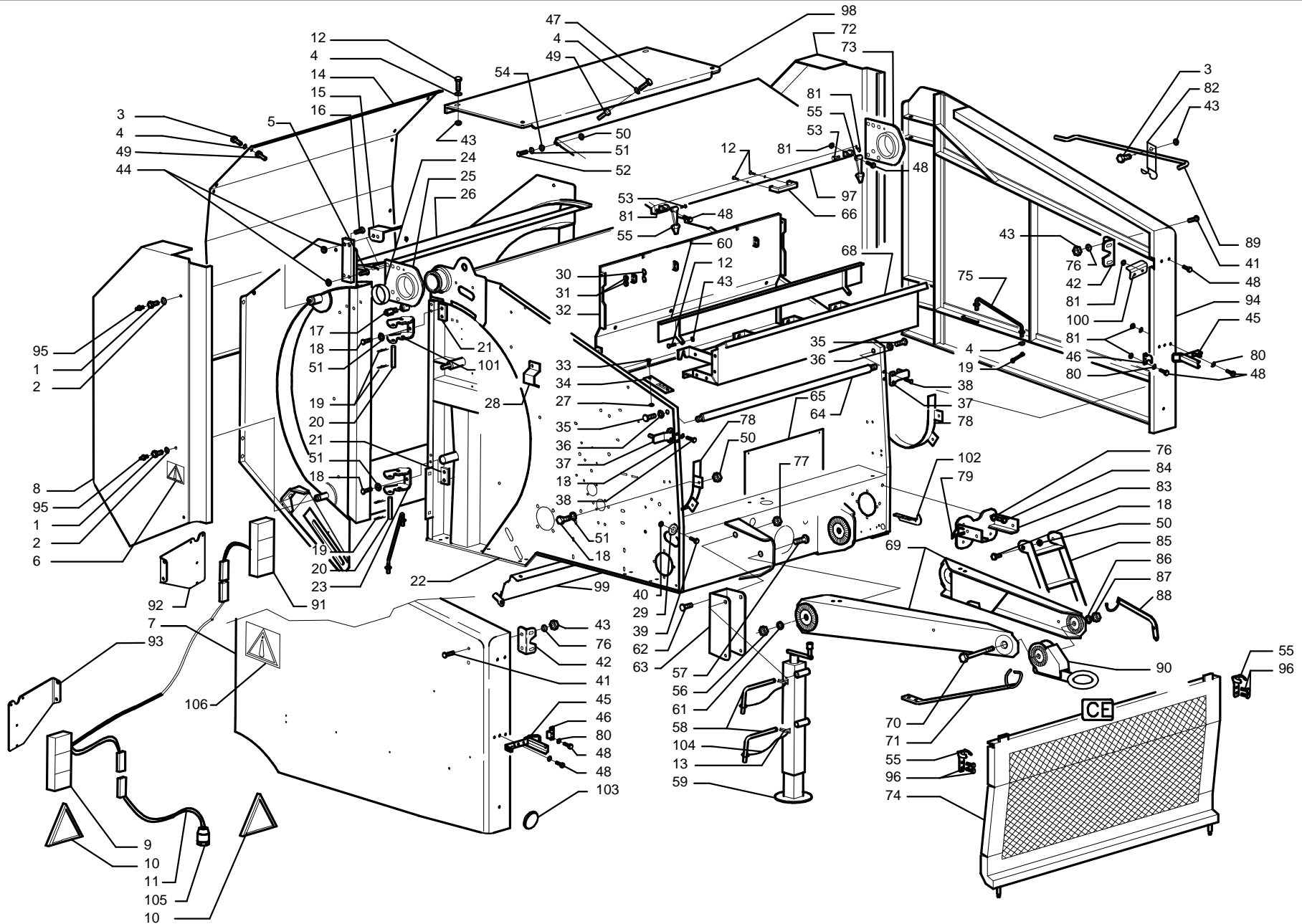
# MASCAR



## *Spare parts catalogue*



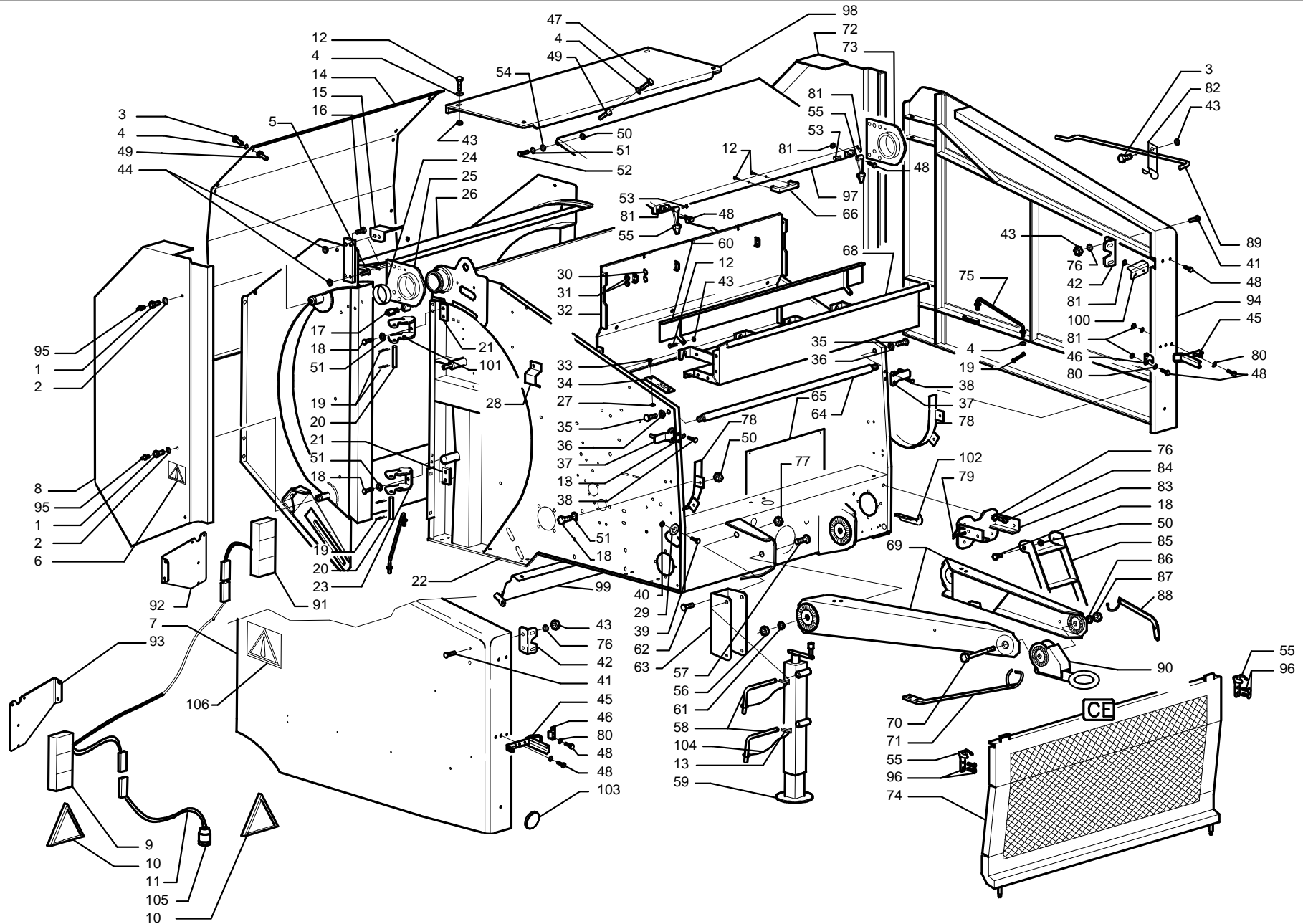
## *Round baler* **CORSA 320-320L**



S.N.

Pos.	Code	Description	Quantity
1	50004300	SCREW FOR GREASER ZB	4
2	023.030	FLAT WASHER M10=10,5X20X2 6592 ZB	4
3	020.051	SCREW TE M 8X20 8.8 5739 ZB	19
4	023.017	FLAT WASHER M8=9X24X2 6593 ZB	29
5	020.147	SCREW TE M 12X40 8.8 5737 ZB	4
6	89009024	STICKER USE DPI	1
7	50004150	WELD ASSY FRONT COVER PLATE RIGHT 120	1
8	50004230	WELD ASSY REAR COVER PLATE RIGHT 120	1
9	076.109	RIGHT LIGHT WITH 3 FUNC.-CABLE AND PLUG	1
10	076.350	CATADIOPTRIC TRIANGLE III A E3 02 55175	2
11	076.168	7 POLES PIN WITH LIGHTS CABLES WIRING	1
12	020.050	SCREW TE M 8X16 8.8 5739 ZB	8
13	024.016	PIN LOCK DIN 11023 ø 4.5	2
14	50004272	REAR COVER PLATE 120	1
15	50002312	CHAIN RETURN BRACKET RIGHT	1
15	50002314	CHAIN RETURN BRACKET LEFT	1
16	020.714	SCREW TBEI M 12X50 10.9 7380 ZB	4
17	50005757	REARMING PIN	1
18	020.101	SCREW TE M 10X25 8.8 5739 ZB	12
19	024.225	COVER D. 3.2X25 ZB 1336	12
20	54004140	HINGE PIN	4
21	50004146	COVER PLATE	4
22	50000900	WELD ASSY FRONT FRAME CORSA 120	1
23	50004147	LOWER COVER PLATE HINGE BRACKET	2
24	052.184	BUSH 70-75-40	2
25	50000201	WELD ASSY RIGHT REAR DOOR FASTENER	1
26	50000950	WELD ASSY REAR FRAME CORSA 120	1
27	021.505	KNURLED NUT AND FLANGE M 6 D.6923 ZB	2
28	50003170	TUBES SUPPORT	5
29	50004270	COVER PLATE BEAT SMALL WHEEL	2
30	028.104	SEEGER RING EXT. D.18 7435/471	10
31	54005180	TWINE GUIDING BUSHING	10
32	50004281	WELD ASSY FRONT SIDE 120	1
33	020.961	SCREW TE M 6X16 8.8 6921 ZB	2
34	50003233	SYMM. PRESSION REGULATION BRACKET120-150	1
35	020.151	SCREW TE M 12X025 8.8 5739 ZB	2
36	023.040	FLAT WASHER M12=13X24X2,5 6592 ZB	2
37	50004285	WELD ASSY PIN HOOKING BRACKET	2
38	020.098	SCREW TE M 10X16 8.8 5739 ZB	4
39	020.082	SCREW TTQST M 6X20 4.6 5731 ZB	2

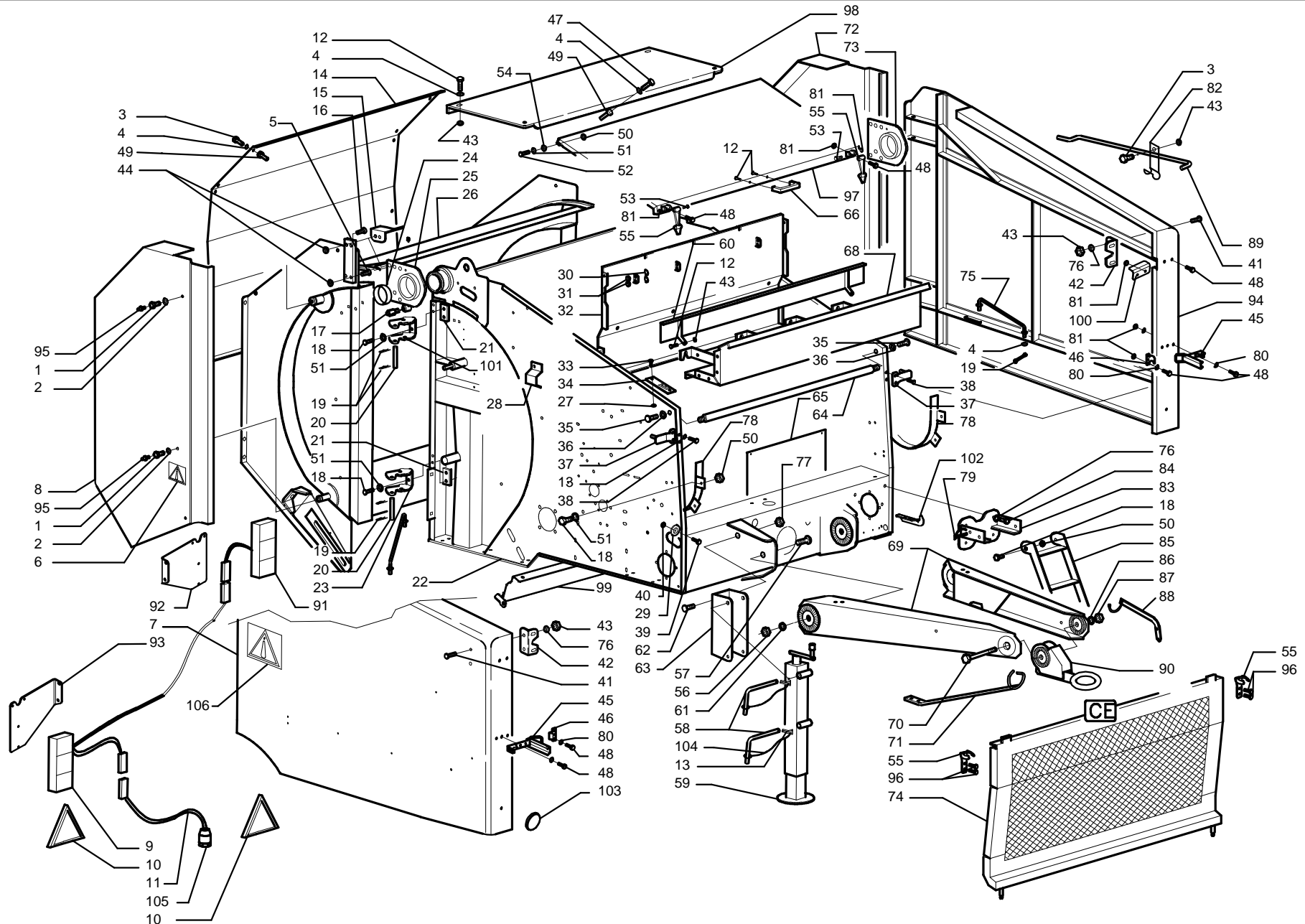
**S.N.**



S.N.

Pos.	Code	Description	Quantity
40	021.101	SELF-LOCKING NUT M 6 7474 ZB	2
41	020.600	SCREW TTQST M 8X20 4.6 5731 ZB	4
42	071.201	CLOSING LOCK	2
43	021.102	SELF-LOCKING NUT M 8 7474 ZB	11
44	021.104	SELF-LOCKING NUT M 12 7474 ZB	8
45	071.202	CLOSING LOCK USM 325	2
46	50004330	LOCK CONNECTION ZB	2
47	020.709	SCREW TBEI M 8X20 7380 AISI304	3
48	019.130	SCREW TE M 4X12 8.8 5739 ZB	16
49	023.922	RIVET TC UNI 9201-B M8-8	21
50	021.103	SELF-LOCKING NUT M10 UNI 7474 ZB	6
51	023.030	FLAT WASHER M10=10,5X20X2 6592 ZB	18
52	020.101	SCREW TE M 10X25 8.8 5739 ZB	2
53	019.135	SCREW TE M 4X35 8.8 5739 ZB	2
54	61006319	BUSH D=10-16	2
55	095.095	COMPLETE RUBBER TIE-ROD (GAMM)	2
56	021.110	SELF-LOCKING NUT M 24 7474 ZB	2
57	020.406	SCREW TE M 24X80 8.8 5739 ZB	2
58	345.025	STANDING FOOT PIN ZB	2
59	330.381	WELD ASSY STANDING FOOT	1
60	50005230	WELD ASSY SPOOL SUPORTING SURFACE	1
61	023.085	FLAT WASHER M24=25X44X4 6592 ZB	2
62	020.251	SCREW TE M 16X25 8.8 5739 ZB	2
63	53000053	WELD ASSY FOOT SUPPORT	1
64	50005826	RETURNING NET ROUND BAR ZB	1
65	50004360	CLUTCH COVER PLATE	1
66	095.050	HANDLE MFB 117 M8	1
68	50005200	WELD ASSY TWINE SPOOL CONTAINER	1
69	50000020	WELD ASSY TOWING BAR 2010	2
70	020.387	SCREW TE M 20X200 8.8 5737 ZB	1
71	52000156	WELD ASSY TUBERS SUPPORT ZB	1
72	50004232	WELD ASSY REAR COVER PLATE LEFT 120	1
73	50000200	WELD ASSY LEFT REAR DOOR FASTENER	1
74	50004292	WELD ASSY FRONT PROT. COVER PL. 120/150	1
75	50004340	WELD ASSY COVER PLATE OPENING BRACKET	2
76	023.020	FLAT WASHER M8=8,4X16X1,6 6592 ZB	8
77	021.123	SELF-LOCKING NUT M14 7473 ZB	2
78	50002317	PROTECTION DRIVE SHAFT CHAIN	2
79	024.071	STOP SPRING D.3 ZB	1
80	023.007	FLAT WASHER M4=4,3X9X0,8 6592 ZB	16

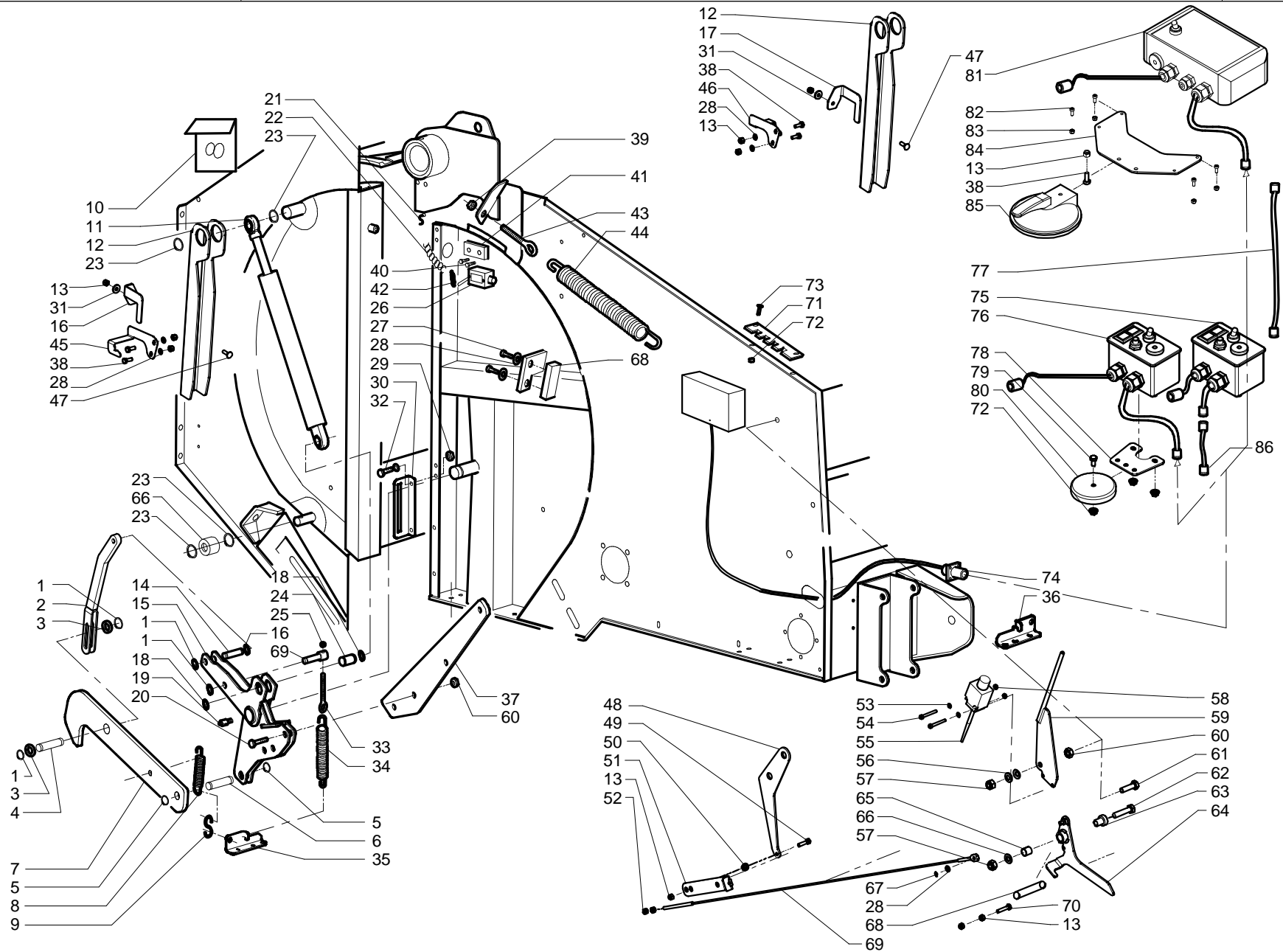
**S.N.**



S.N.

Pos.	Code	Description	Quantity
81	021.098	SELF-LOCKING NUT M 4 7474 ZB	18
82	10040402	HOOK CONNECTION SHEET ZB	1
83	53000560	WELD ASSY SECOND STEP	1
84	020.052	SCREW TE M 8X25 8.8 5739 ZB	4
85	53000550	WELD ASSY FIRST STEP	1
86	023.080	FLAT WASHER M20=21X37X3 6592 ZB	2
87	021.108	SELF-LOCKING NUT M 20 7474 ZB	1
88	51000640	WELD ASSY P.T.O. SUPPORT	1
89	50004269	COVER PLATE SUPPORT BRACKET	1
90	50000036	WELD ASSY TOWING BAR LINK	1
91	076.110	LEFT LIGHT WITH 3 FUNC.-CABLE AND PLUG	1
92	50006052	LIGHTS BRACKET LEFT	1
93	50006050	LIGHTS BRACKET RIGHT	1
94	50004170	WELD ASSY FRONT COVER PLATE LEFT 120	1
95	022.001	GREASE DEVICE M6X1 UNI 7663A DIR.ZB	4
96	029.570	PULL RIVET UNI9200-A-4-10-P-ALMG5	4
97	50004261	FRONT COVER PLATE 120	1
98	50004264	UPPER COVER PLATE	1
99	50004250	WELD ASSY WIND PROTECTION + SCRAPER	1
100	50004288	SUPPORT ANGLE BAR ZB	2
101	50004149	UPPER COVER PLATE FASTENER BRACKET	2
102	50001582	PICK-UP CHAIN STUFF	1
103	076.111	WHITE ROUND REFLECTOR, I A E3 02 52379	2
104	024.080	RUBBER TIE-ROD WITH SMALL HOOKS L=240	2
105	076.108	7 PIN SOCKET FOR REAR LIGHTS	1
106	89006031	STICKER "CE" KIT BINDING SYSTEM	0
106	89999002	KIT STICKERS CORSA 320L	0

**S.N.**

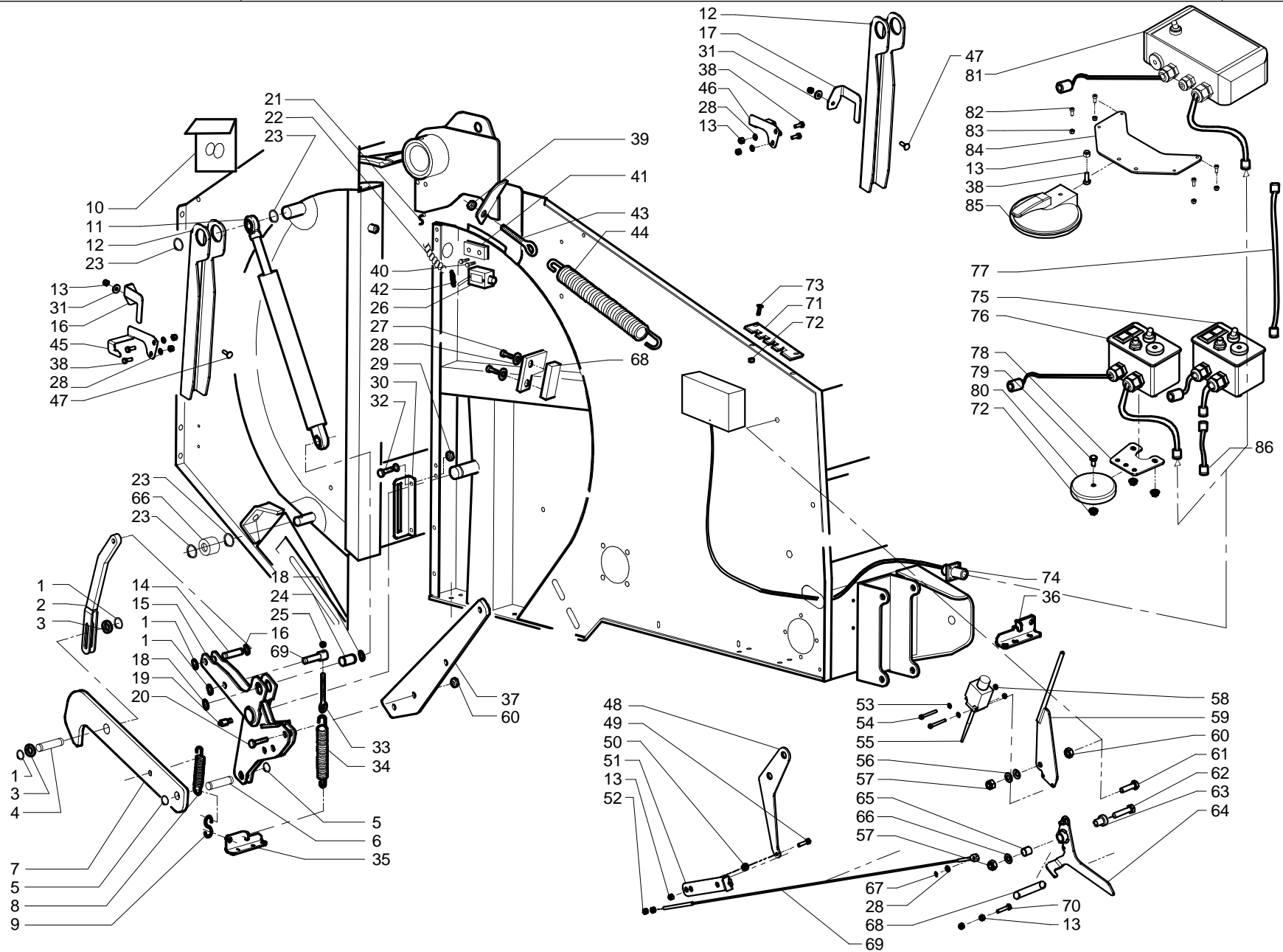


S.N.



Pos.	Code	Description	Quantity
1	028.235	SEEGER RING EXT. D. 12 7436 (HEAVY)	4
2	50003260	WELD ASSY LEVER 2008 ZB	2
3	023.040	FLAT WASHER M12=13X24X2,5 6592 ZB	4
4	50003121	PIVOT	2
5	028.240	SEEGER RING EXT. D. 20 7436 (HEAVY)	4
6	50003082	HOOK PIN ZB	2
7	50003080	HOOK	2
8	056.252	DRIVE SPRING (4X30X106) ZBD	2
9	022.251	S-FORM CONNECTION 6	2
10	062.628	SEAL KIT FOR CYLINDER 50003030	2
11	50003030	CYLINDER L=628	2
12	50003043	DOOR SAFETY CATCH 120-125	2
13	021.115	SELF-LOCKING NUT M6 7473 ZB	10
14	50003122	FORK PIN	2
15	50003104	WELD ASSY LEVERS 2008	2
16	50003048	SAFETY CATCH BLOCK RIGHT	1
17	50003049	SAFETY CATCH BLOCK LEFT	1
18	028.255	SEEGER RING EXT. D. 30 7436 (HEAVY)	4
19	022.006	GREASER M 10X1,5 UNI 7663A DIR. ZB	2
20	020.201	SCREW TE M 14X40 8.8 5739 ZB	4
21	022.250	S-FORM CONNECTION D. 3,5 ZB	1
22	034.300	CHAIN D.1,5 N:10	1
23	028.258	SEEGER RING EXT. D. 35 7436 (HEAVY)	12
24	50003156	PIN	2
25	021.104	SELF-LOCKING NUT M 12 7474 ZB	2
26	080.052	STROKE COUNTER 5 NUMBERS IP67	1
27	020.503	SCREW TCEI M 6X30 8.8 ISO 4762 ZB	4
28	023.010	FLAT WASHER M6=6,3X12X1,6 6592 ZB	9
29	021.102	SELF-LOCKING NUT M 8 7474 ZB	4
30	50003076	HOOK GUIDE ZB	2
31	023.005	FLAT WASHER M6=6,6X18X2 6593 ZB	2
32	020.052	SCREW TE M 8X25 8.8 5739 ZB	4
33	022.320	EYE OF TIE-ROD M 12X210 DX ZN	2
34	056.300	DRIVE SPRING 5X34XLI.201 ZBD	2
35	50003136	SPRING RIGHT CONNECTION ZB	1
36	50003138	SPRING LEFT CONNECTION ZB	1
37	50003128	PRESSURE LEVER 120	2
38	020.011	SCREW TE M 6X16 8.8 5739 ZB	5
39	021.105	SELF-LOCKING NUT M 14 7474 ZB	2
40	020.489	SCREW TCEI M 4X10 8.8 5931 ZB	2

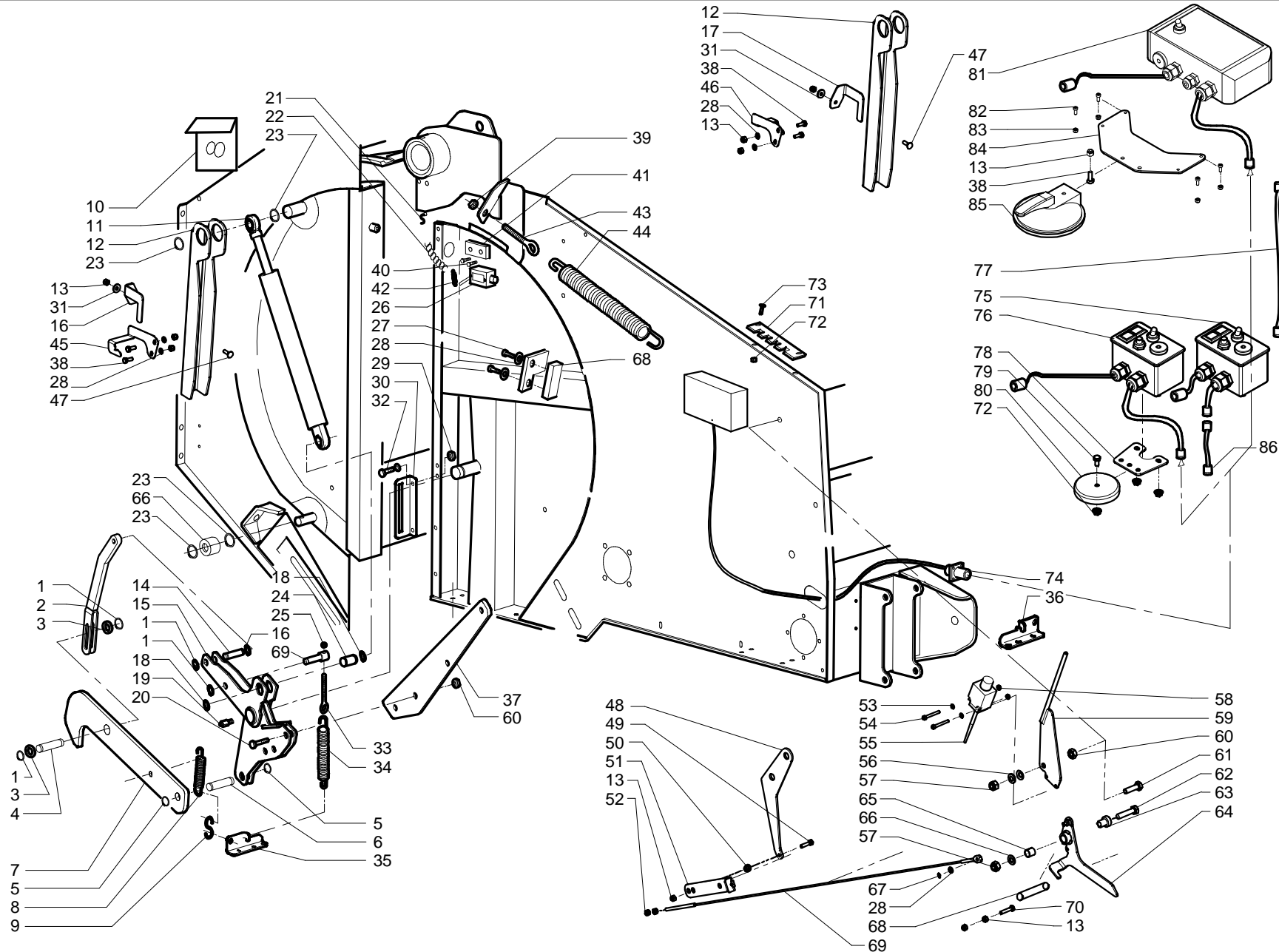
**S.N.**



S.N.

Pos.	Code	Description	Quantity
41	50006116	CORSA STROKE COUNTER STAFF	1
42	054.001	ZINCED TORSION SPRING 0,5X5X29	1
43	022.140	EYE TIE-ROD M12 L=90 6058 ZB	2
44	056.452	DRIVE SPRING (7X50X290) ZBD	2
45	50003046	SAFETY CATCH HOOK RIGHT	1
46	50003047	SAFETY CATCH HOOK LEFT	1
47	020.082	SCREW TTQST M 6X20 4.6 5731 ZB	2
48	50003216	INDICATOR CABLE CONNECTION STUFF 120-125	1
49	020.013	SCREW TE M 6X25 8.8 ISO 4017 ZB	1
50	61006252	PIN D=10-14 ZB	1
51	50003219	ROPE CONNECTION	1
52	021.002	NUT E 6S M 6 5588 ZB	2
53	023.008	FLAT WASHER M 5= 5.3X10X1 6592 ZB	2
54	020.492	SCREW TCEI M 5X40 8.8 ISO 4762 ZB	2
55	076.377	MICRO SWITCH CONNECTOR AND CABLE	1
56	023.770	TAPER WASHER EL.D.10,2X20X2,7 ZBD	2
57	021.112	SELF-LOCKING NUT M10 7473 ZB	2
58	021.100	SELF-LOCKING NUT M5 7474 ZB	2
59	50003226	WELD ASSY PRESSION REGULATION 120-150	1
60	021.004	NUT E 6S M 10 5588 ZB	1
61	020.103	SCREW TE M 10X35 8.8 5739 ZB	1
62	020.105	SCREW TE M 10X45 8.8 5737 ZB	1
63	50003215	INDICATING ARROW PIN ZB	1
64	50003210	WELD ASSY INDICATING ARROW ZB	1
65	052.160	BUSH 14-16-15	1
66	50003078	REAR DOOR HOOKING BUSH	1
67	028.095	SEEGER RING EXT. D. 6 7435/471	1
68	50003142	BLADE BEATING SQUARE TUBE (PET)	1
69	50003114	PIN FOR SPRING	1
70	020.014	SCREW TE M 6X30 8.8 5739 ZB	1
71	50003233	SYMM. PRESSION REGULATION BRACKET120-150	1
72	021.505	KNURLED NUT AND FLANGE M 6 D.6923 ZB	5
73	020.961	SCREW TE M 6X16 8.8 6921 ZB	2
74	53006911	WIRING "CORSA - TUAREG"	1
75	076.432	MONITOR M50	1
76	076.433	MONITOR M100	1
77	53006910	BATTERY FEEDING CABLE	1
78	50003190	MONITOR UNIT	1
79	020.009	SCREW TE M 6X12 8.8 5739 ZB	1
80	095.311	MAGNET D.76 H.12	1

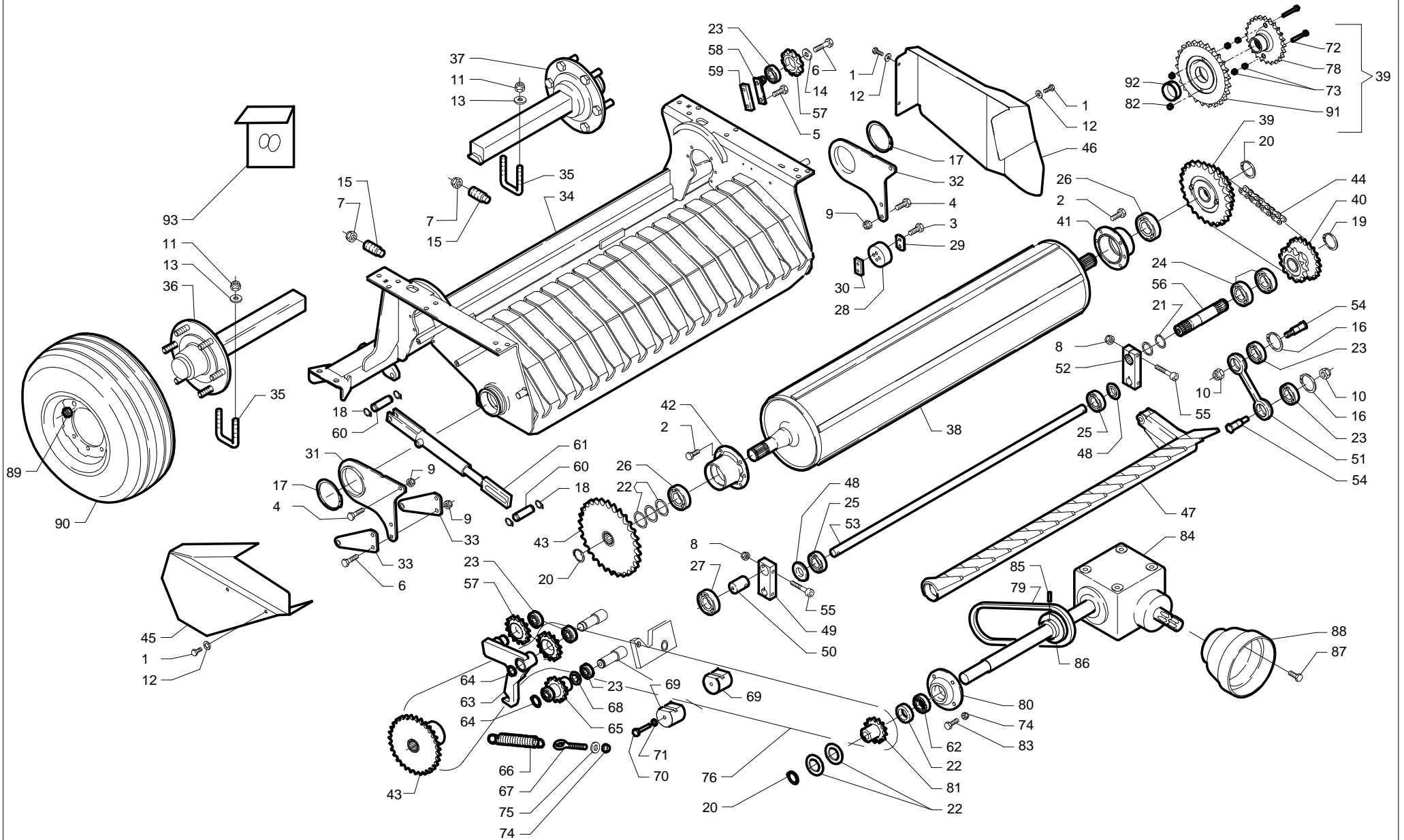
**S.N.**



S.N.

Pos.	Code	Description	Quantity
81	076.430	MONITOR M200	1
82	020.489	SCREW TCEI M 4X10 8.8 5931 ZB	4
83	021.098	SELF-LOCKING NUT M 4 7474 ZB	2
84	50003191	MONITOR M200 BRACKET	1
85	095.310	SUCTION CAP D.120 WITH LEVER	1
86	076.376	SIMPLE WIRING FOR MC 500	1

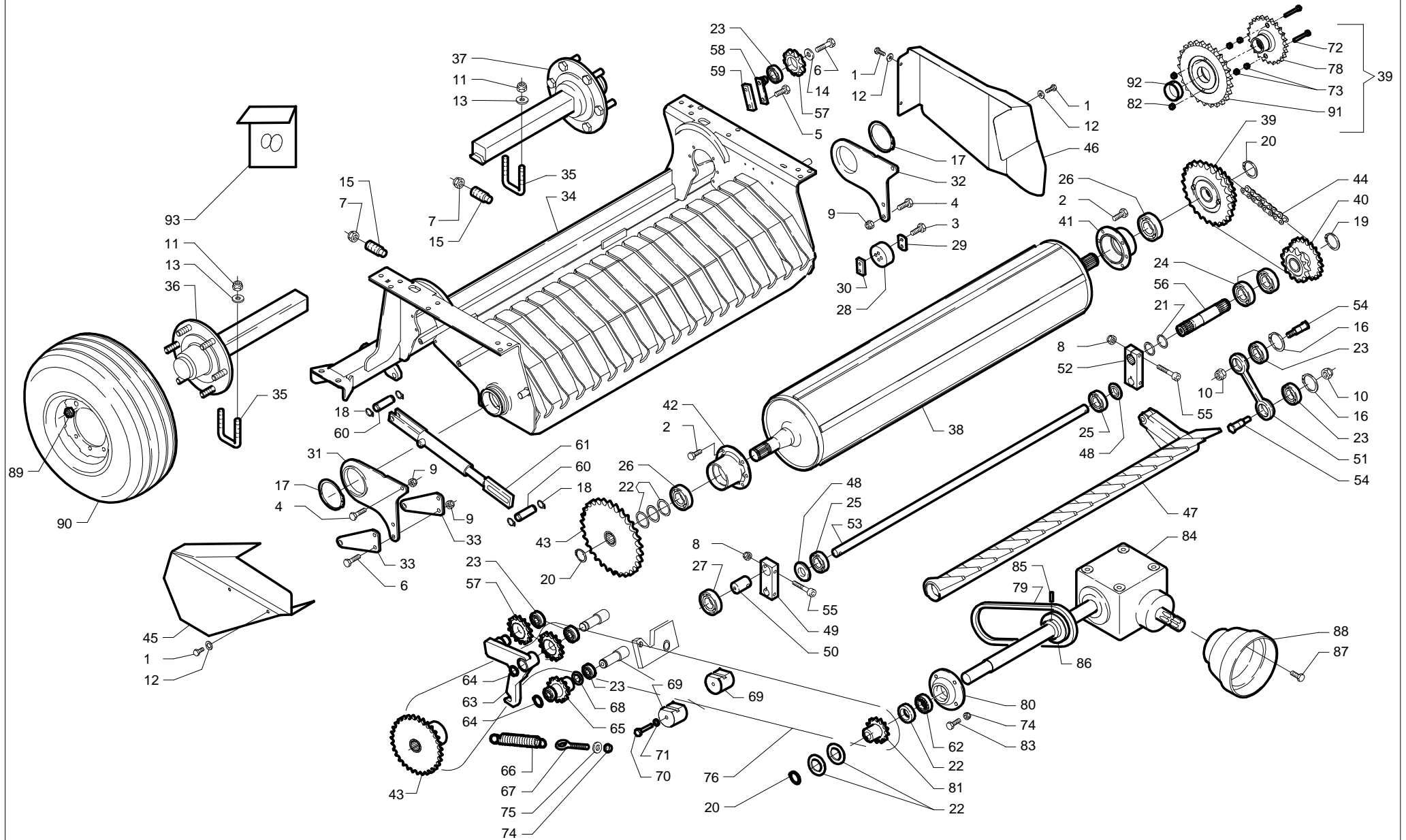
**S.N.**



S.N.

Pos.	Code	Description	Quantity
1	020.028	SCREW TE M 8X12 8.8 5739 ZB	5
2	020.100	SCREW TE M 10X20 8.8 5739 ZB	12
3	020.129	SCREW TE M 10X35 8.8 5737 ZB	2
4	020.147	SCREW TE M 12X40 8.8 5737 ZB	4
5	020.150	SCREW TE M 12X20 8.8 5739 ZB	1
6	020.157	SCREW TE M 12X55 8.8 5737 ZB	3
7	021.011	NUT E 6S M 24 5588 ZB	2
8	021.112	SELF-LOCKING NUT M10 7473 ZB	4
9	021.113	SELF-LOCKING NUT M12 7473 ZB	6
10	021.120	SELF-LOCKING NUT M14 7473 ZB	2
11	021.123	SELF-LOCKING NUT M14 7473 ZB	4
12	023.020	FLAT WASHER M8=8,4X16X1,6 6592 ZB	5
13	023.045	FLAT WASHER M16=17X30X3 6592 ZB	4
14	023.180	WASHER SPEC. M12=12,5X30X4 ZB	1
15	026.300	GRAIN CE 14.9 M24X60 5925	2
16	028.005	SEEGER RING INT. D. 47 743/472	2
17	028.160	SEEGER RING EXT. D. 90 7435/471	2
18	028.236	SEEGER RING EXT. D. 16 7436 (HEAVY)	4
19	028.256	SEEGER RING EXT. D. 32 7436 (HEAVY)	1
20	028.260	SEEGER RING EXT. D. 38 7436 (HEAVY)	3
21	028.315	RING TYPE "PS" 35X45X1,5 DIN 988	2
22	028.328	RING TYPE "PS" 50X40X1 DIN 988	7
23	050.007	BEARING 20X47X14 6204-2RS	7
24	050.008	BEARING 6207-2RS	2
25	050.010	BEARING 6205-2RS	2
26	050.016	BEARING 6208-2RS	2
27	050.087	BEARING INA 207 NPPB (35X72X17)	1
28	50001410	CYLINDRIC SLIDING BLOCK (NYLON 66)	1
29	50001412	SLIDING BLOCK UPPER PLATE	1
30	50001414	SLIDING BLOCK LOWER PLATE	1
31	50001500	WELD ASSY PICK-UP FASTENER 2007 RIGHT	1
32	50001501	WELD ASSY PICK-UP FASTENER 2007 LEFT	1
33	50001536	CYLINDER CONNECTION PLATE	2
34	50001610	WELD ASSY LOWER FRAME 120	1
35	50001716	U-BOLT M16 (SQUARE 55)	2
36	50001722	WELD ASSY HUB RIGHT	1
37	50001723	WELD ASSY HUB LEFT	1
38	50002010	WELD ASSY FRONT ROLLER	1
39	50002500	COMPL. ASSY PIN. Z25 Z24 WITH SAFE. BOLT	1
40	50002505	WELD ASSY FIX ROTOR PINION	1

**S.N.**



S.N.



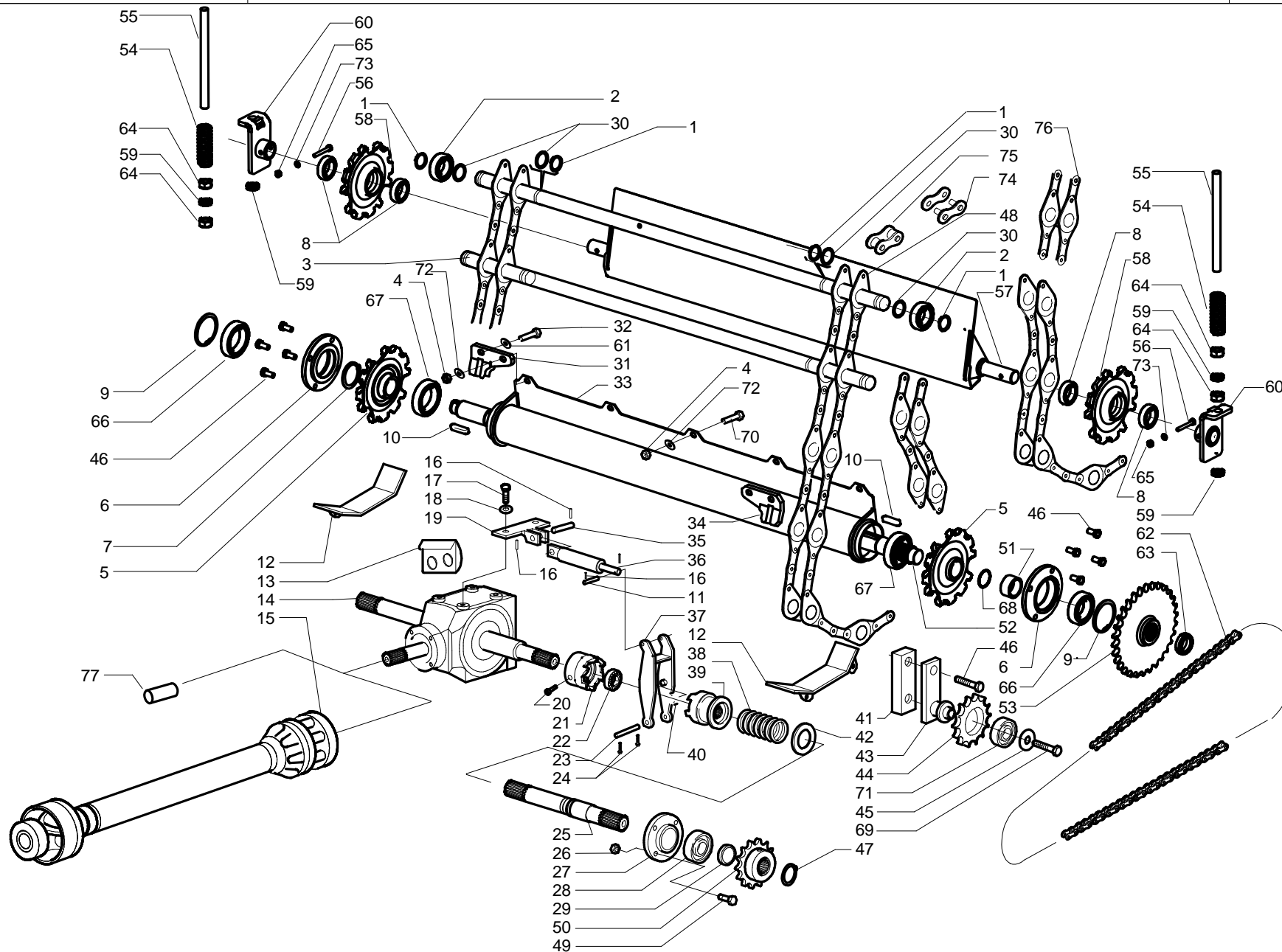
Pos.	Code	Description	Quantity
41	50002510	ROLLER SUPPORT LEFT	1
42	50002530	ROLLER SUPPORT RIGHT	1
43	50002532	WELD ASSY FRONT ROLLER PINION RIGHT	1
44	50002539	CHAIN WITH ROLLERS ISO 16B-1 45 P.+JOINT	1
45	50004304	WELD ASSY FRAME COVER PL. CORSA RIGHT	1
46	50004332	WELD ASSY FRAME COVER PLATE 120 LEFT	1
47	54000990	WELD ASSY ROTORY FEEDER FORK 2008	1
48	54001008	ROTORY FEEDER PROTECTION	2
49	54001009	FORK CONNECTING ROD ZB	1
50	54001014	SHAFT AXLE COMB-FEEDER	1
51	54001020	CONNECTING ROD	1
52	54001022	FORK SPLINED CONNECTION ROD ZB	1
53	54001091	FEEDER SHAFT	1
54	54001220	FORK PIN	2
55	54001246	SCREW TCEI M 10X65 12.9 (UNI 5931)	4
56	54001258	FEEDER JOINT SHAFT	1
57	54002243	TIGHTENER PINION ZB	3
58	54002272	WELD ASSY TIGHTENER ZB	1
59	54002278	TIGHTENER PULLING PLATE ZB	1
60	54003130	PIN ZB	2
61	54006103	PICK-UP CYLINDER BLACK	1
62	050.088	BEARING INA 208 NPPB (40X80X18)	1
63	50002080	WELD ASSY TRANSMISSION TIGHTENER RIGHT	1
64	028.105	SEEGER RING EXT. D. 20 7435/471	2
65	50002094	PINION OF RETURN	1
66	056.300	DRIVE SPRING 5X34XLI.201 ZBD	1
67	022.135	EYE TIE-ROD M10 L= 80 6058 ZB	1
68	50002095	BEARING STOP THREAD	1
69	50002109	CHAIN SLIDING BLOCK D.50 (NYLON)	2
70	020.060	SCREW TE M 8X70 8.8 5737 ZB	2
71	023.017	FLAT WASHER M8=9X24X2 6593 ZB	2
72	020.058	SCREW TE M 8X60 8.8 5737 ZB	2
73	54001114	FEEDER SECUTITY BUSH	4
74	021.103	SELF-LOCKING NUT M10 UNI 7474 ZB	5
75	023.030	FLAT WASHER M10=10,5X20X2 6592 ZB	1
76	50002099	CHAIN ASA 80 123 LINKS + JOINT	1
77	052.147	BUSH 50-55-20	1
78	50002501	WELD ASSY PINION ASA60 Z=24 BOLT T.	1
79	031.007	BELT Z 24 10X6 L=610	1
80	50002054	BEARING SUPPORT RIGHT	1

**S.N.**



Pos.	Code	Description	Quantity
81	50002506	PINION ASA80 Z=12	1
82	021.114	SELF-LOCKING NUT M8 7473 ZB	2
83	020.102	SCREW TE M 10X30 8.8 5739 ZB	4
84	50002050	COMPL. ASSY REDUCER	1
85	026.118	GRAIN CE 12.9 M 10X20 5927	1
86	50005010	BELT PULLEY	1
87	020.051	SCREW TE M 8X20 8.8 5739 ZB	1
88	50002110	ANTI-SHROUD P.T.O. SHAFT	1
89	021.238	WHEEL NUT M18X1,5 UNI 3740 ZB	12
90	040.006	WHEEL 10.0/75-15.3 10 PR	2
90	040.012	WHEEL 11.5/80-15.3 10PR 6HOLES	2
90	040.178	WHEEL 15.0/55-17 (D.860X400)	2
91	50002504	CROWN 16B Z=25 WITH BOLT	1
92	052.147	BUSH 50-55-20	1
93	062.632	SEAL KIT FOR CYLINDER 54006103	0

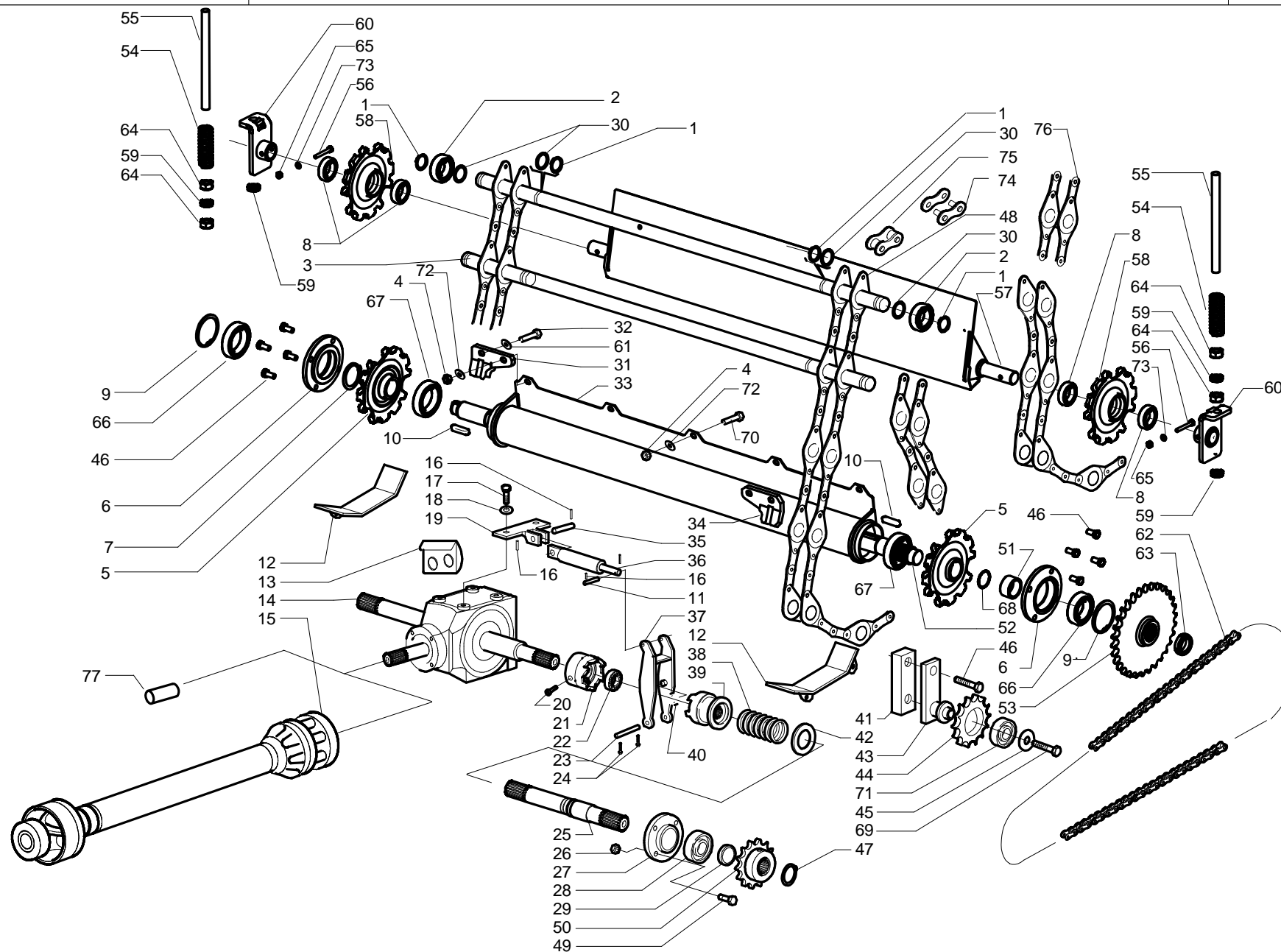
**S.N.**



S.N.

Pos.	Code	Description	Quantity
1	028.112	SEEGER RING EXT. D.35 7435/471	136
2	050.050	BEARING RC 07 2RS (LR 207 RHB)	68
3	50002309	WHEELBASE BAR 1270	34
4	021.114	SELF-LOCKING NUT M8 7473 ZB	7
5	50002216	DRIVE SHAFT PINION CL	2
6	50002280	SUPPORT ZB	2
7	028.263	SEEGER RING EXT. D. 45 7436 (HEAVY)	1
8	050.003	BEARING 6007-2RS	4
9	028.029	SEEGER RING INT. D. 85 7437/472	2
10	027.503	GROOVE-AND-TONGUE JOINT 14X9X56 6604/A	2
11	50003014	PIN ZB	1
12	50002317	PROTECTION DRIVE SHAFT CHAIN	2
13	062.626	SEAL KIT FOR CYLINDER 50003010	1
14	50002050	COMPL. ASSY REDUCER	1
15	032.014	P.T.O. SHAFT CORSA "STD-6 C.LT"1050 NM	1
15	032.015	P.T.O. W. SHAFT CORSA "OPT-6 C.LT"1050NM	1
16	024.233	COVER D. 4X20 ZB 1336	4
17	020.150	SCREW TE M 12X20 8.8 5739 ZB	2
18	023.040	FLAT WASHER M12=13X24X2,5 6592 ZB	2
19	50003012	CYLINDER BRACKET	1
20	020.547	SCREW TCEI M 10X50 8.8 5931 ZB	1
21	50002064	TRANSMISS. CLUTCH RIGHT	1
22	050.009	BEARING 25X62X17 6305-2RS	1
23	50003026	FORK FULCRUM SHAFT ZB	1
24	020.501	SCREW TCEI M 6X20 8.8 5931 ZB	2
25	50002068	SHAFT EXTENSION	1
26	021.103	SELF-LOCKING NUT M10 UNI 7474 ZB	4
27	50002052	BEARING SUPPORT LEFT	1
28	050.088	BEARING INA 208 NPPB (40X80X18)	1
29	50002096	SPACER 40X51X12 ZB	1
30	023.110	FLAT WASHER 36X45X2 ZN	136
31	50002233	SCRAPER RIGHT ZB	1
32	020.602	SCREW TTQST M 8X30 4.6 5731 ZB	4
33	50002210	WELD ASSY DRIVE SHAFT	1
34	50002234	SCRAPER LEFT ZB	1
35	50003038	PIN ZB	1
36	50003010	CONNECTION CYLINDER	1
37	50003016	WELD ASSY DISCONNECTION FORK ZB	1
38	50002070	CONNECTION SPRING ZBD	1
39	50002066	TRANSMISS. CLUTCH LEFT	1

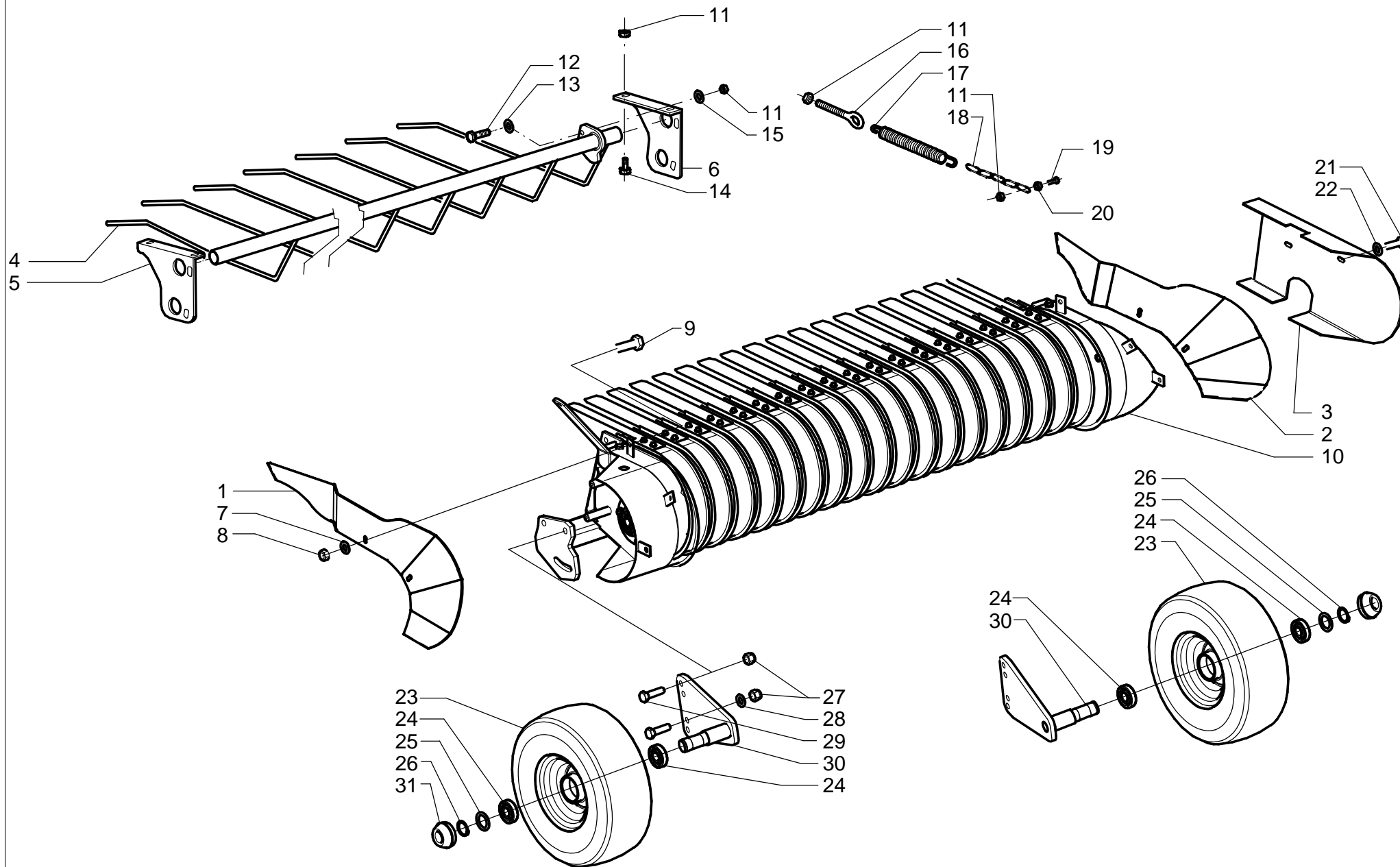
**S.N.**



S.N.

Pos.	Code	Description	Quantity
40	050.032	BEARING 6200-2RS	2
41	54002278	TIGHTENER PULLING PLATE ZB	1
42	50002072	RING RABBET	1
43	54002272	WELD ASSY TIGHTENER ZB	1
44	54002243	TIGHTENER PINION ZB	1
45	023.180	WASHER SPEC. M12=12,5X30X4 ZB	1
46	020.151	SCREW TE M 12X025 8.8 5739 ZB	9
47	028.260	SEEGER RING EXT. D. 38 7436 (HEAVY)	1
48	034.256	CHAIN P50,8X19,05 ROLLER 136 LINK+J	2
49	020.102	SCREW TE M 10X30 8.8 5739 ZB	4
50	50002062	PINION ZB	1
51	50002221	SPACER DRIVE SHAFT CORSA	1
52	50002215	DRIVE SHAFT	1
53	50002224	WELD ASSY PINION Z=30	1
54	50002275	COMPRESSION SPRING 8X38X135	2
55	50002274	THREADED BAR M20 ZB	2
56	020.058	SCREW TE M 8X60 8.8 5737 ZB	2
57	50002290	WELD ASSY FREE SHAFT	1
58	50002264	PINION FREE SHAFT	2
59	021.020	NUT E 6S M 20 5589 ZB	4
60	50002265	WELD ASSY FREE SHAFT GUIDE	2
61	023.027	FLAT WASHER M10=11X30X2,5 6593 ZB	2
62	50002101	CHAIN ASA 80 75 LINKS + JOINT	1
63	021.244	LOCK RING M40X1,5 GUK	1
64	021.009	NUT E 6S M 20 5588 ZB	4
65	021.102	SELF-LOCKING NUT M 8 7474 ZB	2
66	050.017	BEARING 6209-2RS	2
67	050.005	BEARING 6012-2RS	2
68	028.460	ELASTIC RING UNI 7433-A-45	1
69	020.157	SCREW TE M 12X55 8.8 5737 ZB	1
70	020.600	SCREW TTQST M 8X20 4.6 5731 ZB	3
71	050.007	BEARING 20X47X14 6204-2RS	1
72	023.017	FLAT WASHER M8=9X24X2 6593 ZB	7
73	023.020	FLAT WASHER M8=8,4X16X1,6 6592 ZB	2
74	034.404	JOINT P 50,8	0
75	034.262	SINGLE LINK 950,8X19,05 ROLLER	0
76	034.260	STAND LINK PER 034.252-253-254	0
77	096.240	PLASTIC COVER FOR P.F. 1 3/8"	0

**S.N.**

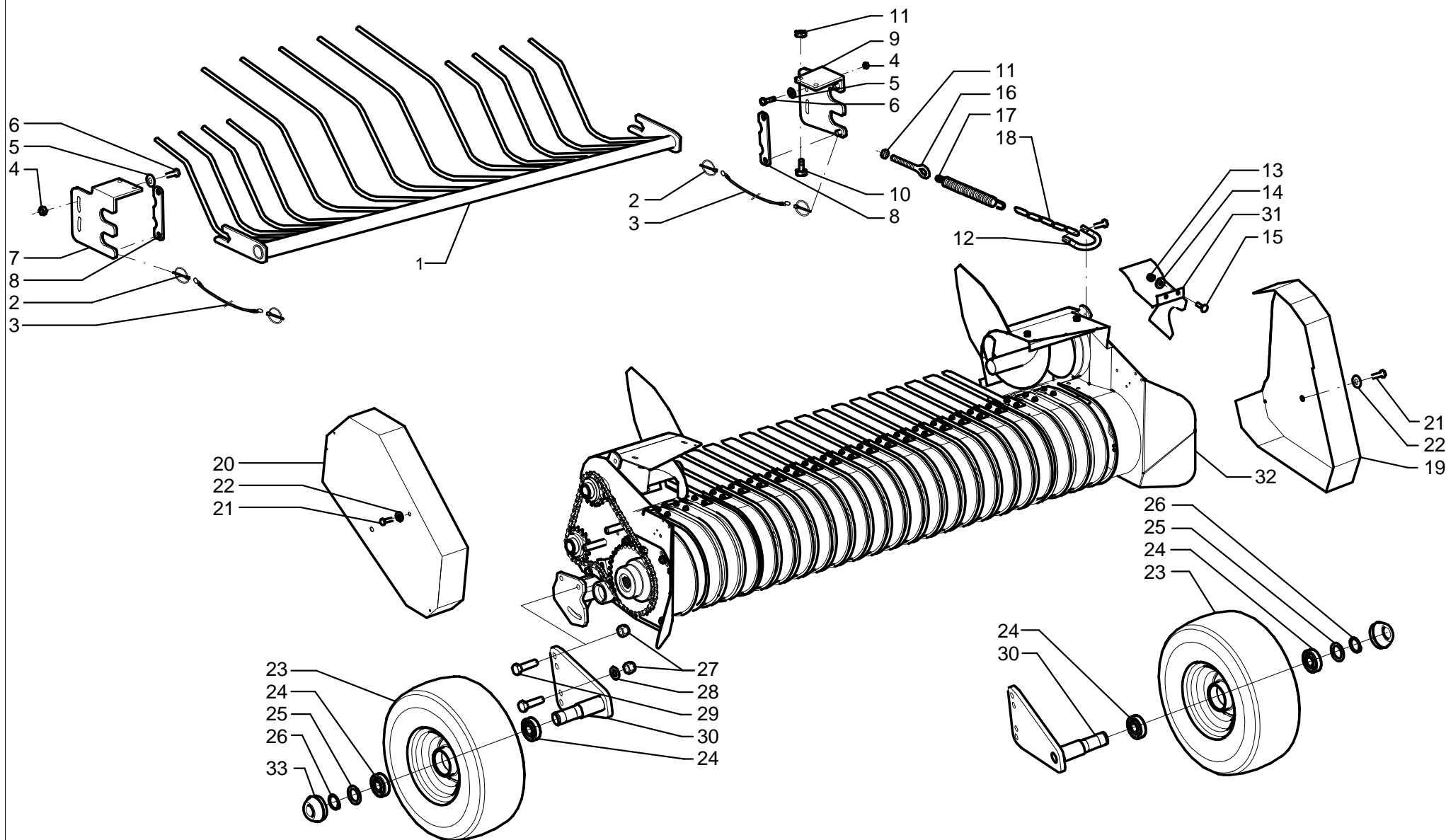


S.N.



Pos.	Code	Description	Quantity
1	50001092	CONVEYOR BLADE RIGHT	1
2	50001090	CONVEYOR BLADE LEFT	1
3	50004350	WELD ASSY PICK-UP COVER PL. 170 LEFT	1
4	50001670	WELD ASSY NARROW RAKE	1
5	50001696	NARROW RAKE CONNECTION RIGHT	1
6	50001697	NARROW RAKE CONNECTION LEFT	1
7	023.017	FLAT WASHER M8=9X24X2 6593 ZB	6
8	021.102	SELF-LOCKING NUT M 8 7474 ZB	6
9	020.600	SCREW TTQST M 8X20 4.6 5731 ZB	6
10	50001940	COMPL. ASSY PICK-UP 170	1
11	021.104	SELF-LOCKING NUT M 12 7474 ZB	7
12	020.152	SCREW TE M 12X30 8.8 5739 ZB	1
13	023.040	FLAT WASHER M12=13X24X2,5 6592 ZB	1
14	020.149	SCREW TE M 12X40 8.8 5739 ZB	4
15	023.025	FLAT WASHER M12=14X36X3 6593 ZB	1
16	022.320	EYE OF TIE-ROD M 12X210 DX ZN	1
17	54001228	SPRING PICK-UP ZB	1
18	50001584	CHAIN 6 LINKS	1
19	020.147	SCREW TE M 12X40 8.8 5737 ZB	1
20	021.102	SELF-LOCKING NUT M 8 7474 ZB	1
21	020.050	SCREW TE M 8X16 8.8 5739 ZB	2
22	023.020	FLAT WASHER M8=8,4X16X1,6 6592 ZB	2
23	50001514	COMPL. ASSY PICK-UP WHEEL	12
23	50001515	COMPL. ASSY PICK-UP IRON WHEEL	12
24	050.002	BEARING 6006-2RS	24
25	028.324	RING TYPE "PS" 30X42X2 DIN 988	12
26	028.255	SEEGER RING EXT. D. 30 7436 (HEAVY)	12
27	021.105	SELF-LOCKING NUT M 14 7474 ZB	24
28	023.610	FLAT WASHER M14=15X40X5 D6340 ZB	24
29	020.243	SCREW TE M 14X50 8.8 5739 ZB	24
30	50001507	WELD ASSY PICK-UP WHEEL SUPPORT	12
31	50001516	PROTECTION BOWL	2

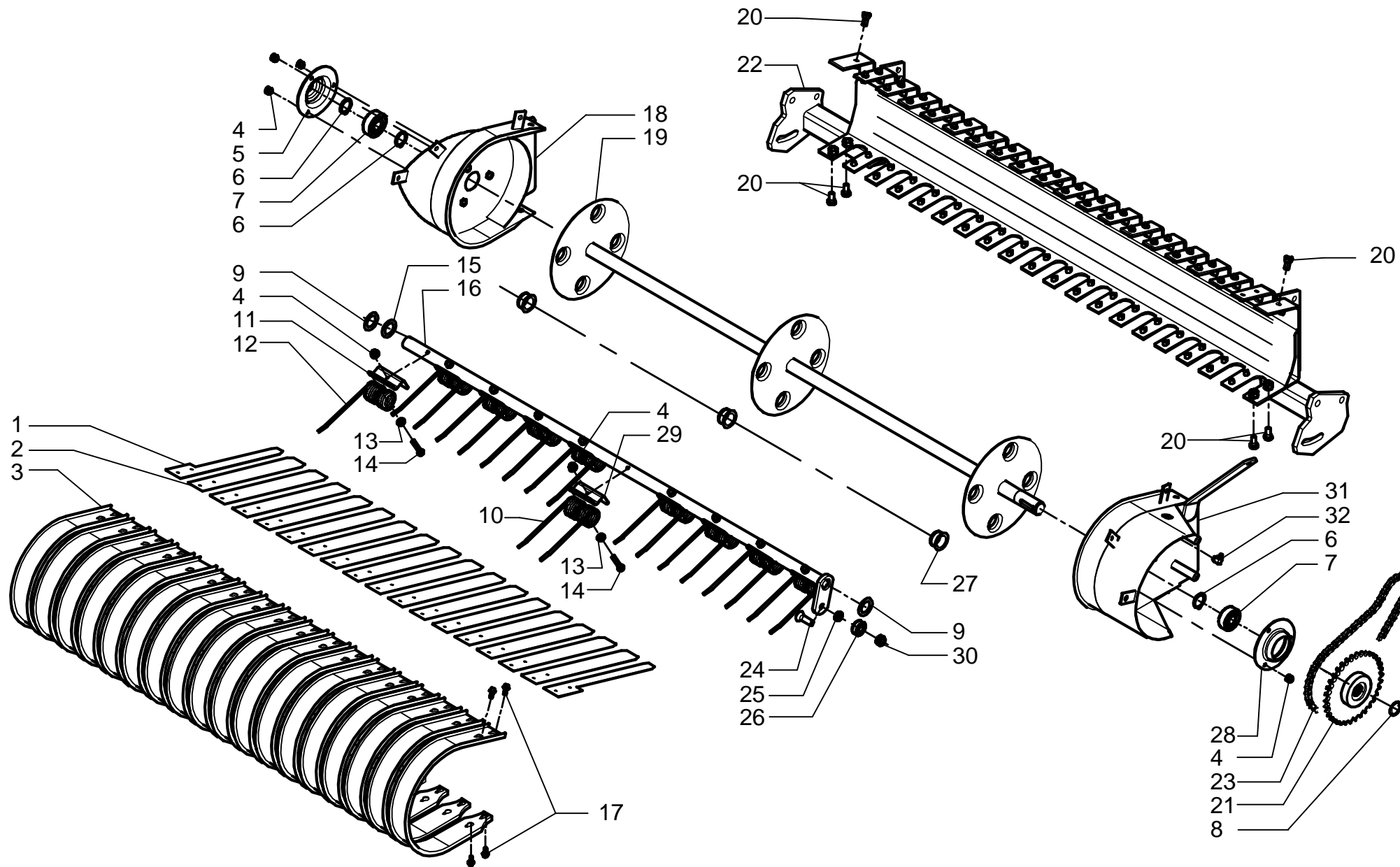
**S.N.**



S.N.

Pos.	Code	Description	Quantity
1	50001680	WELD ASSY MIDDLE SIZE RAKE	1
2	024.016	PIN LOCK DIN 11023 ø 4.5	4
3	50001709	CHAIN 20 LINKS 6,5X15X1,5	2
4	50001694	RAKE PIN	2
5	023.025	FLAT WASHER M12=14X36X3 6593 ZB	2
6	020.153	SCREW TE M 12X35 8.8 5739 ZB	2
7	50001706	WELD ASSY RAKE CONNECTION RIGHT	1
8	50001700	ARREST RAKE	2
9	50001708	WELD ASSY RAKE CONNECTION LEFT	1
10	021.104	SELF-LOCKING NUT M 12 7474 ZB	5
11	020.149	SCREW TE M 12X40 8.8 5739 ZB	4
12	022.202	SHACKLE D.10	1
13	021.102	SELF-LOCKING NUT M 8 7474 ZB	2
14	023.017	FLAT WASHER M8=9X24X2 6593 ZB	2
15	020.600	SCREW TTQST M 8X20 4.6 5731 ZB	2
16	022.320	EYE OF TIE-ROD M 12X210 DX ZN	1
17	54001228	SPRING PICK-UP ZB	1
18	50001584	CHAIN 6 LINKS	1
19	50004110	WELD ASSY PICK-UP COVER PLATE LEFT	1
20	50004100	WELD ASSY PICK-UP COVER PLATE RIGHT	1
21	020.050	SCREW TE M 8X16 8.8 5739 ZB	4
22	023.020	FLAT WASHER M8=8,4X16X1,6 6592 ZB	4
23	50001514	COMPL. ASSY PICK-UP WHEEL	2
23	50001515	COMPL. ASSY PICK-UP IRON WHEEL	2
24	050.002	BEARING 6006-2RS	4
25	028.324	RING TYPE "PS" 30X42X2 DIN 988	2
26	028.255	SEEGER RING EXT. D. 30 7436 (HEAVY)	2
27	021.105	SELF-LOCKING NUT M 14 7474 ZB	4
28	023.610	FLAT WASHER M14=15X40X5 D6340 ZB	4
29	020.243	SCREW TE M 14X50 8.8 5739 ZB	4
30	50001507	WELD ASSY PICK-UP WHEEL SUPPORT	2
31	54004262	WELD ASSY FRONT FULCRUM COVER PLATE	1
32	50001920	COMPL. ASSY PICK-UP 200	1
33	50001516	PROTECTION BOWL	1

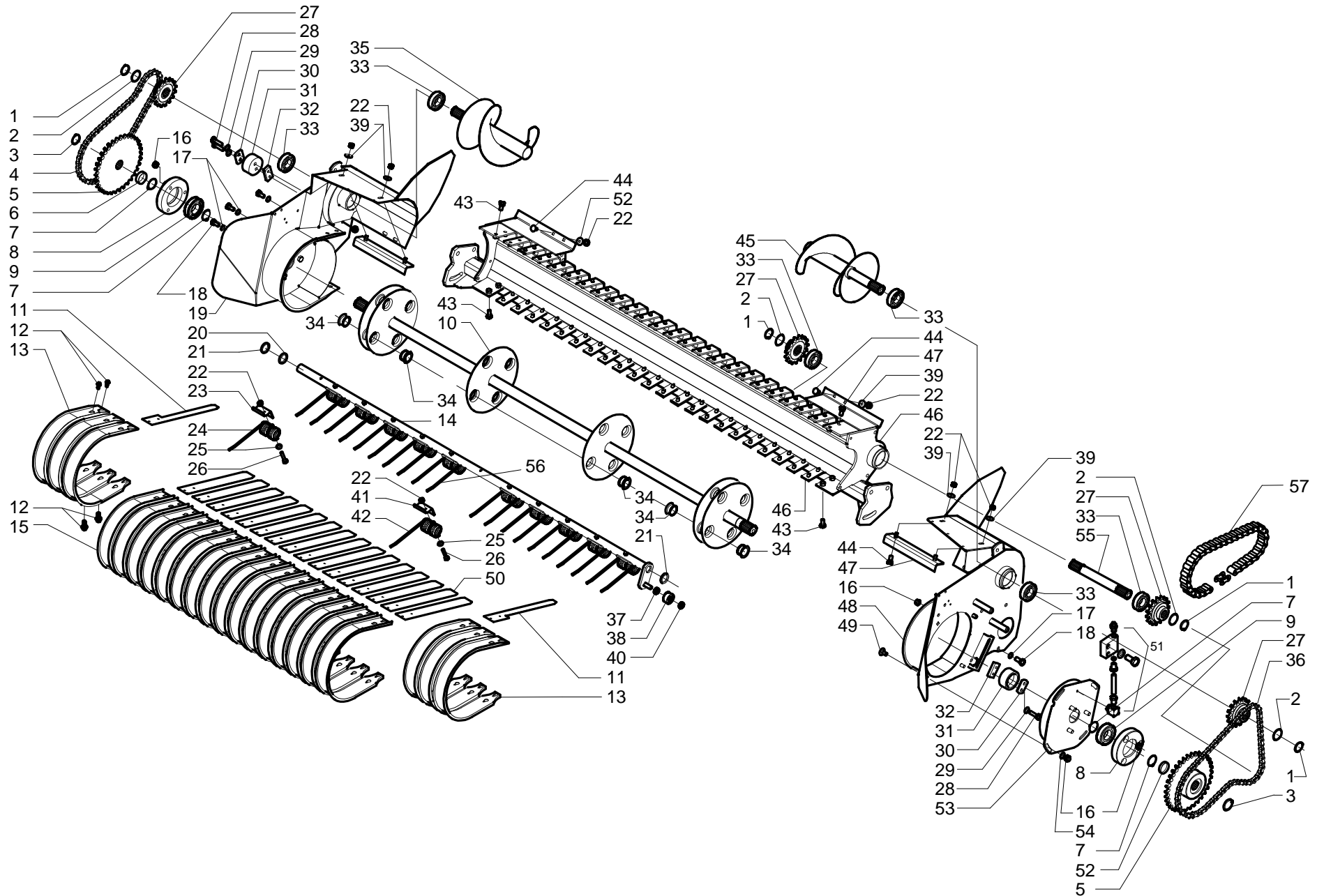
**S.N.**



S.N.

Pos.	Code	Description	Quantity
1	08500222	BAND EXTENSION SP"N25T" PICK-UP	2
2	08500221	BAND EXTENSION PICK-UP	16
3	08500219	GUIDING BAND SV 729	18
4	021.114	SELF-LOCKING NUT M8 7473 ZB	16
5	500.011	PICK-UP ROLLER BLIND SUPPORT	1
6	028.110	SEEGER RING EXT. D. 30 7435/471	3
7	050.103	BEARING 30X62X13 6206-2RS1	2
8	028.112	SEEGER RING EXT. D.35 7435/471	4
9	028.336	RING TYPE "PS" 28X40X1 DIN988	8
10	500.077	SPRING (PICK-UP 2001)	36
11	500.091	PLATE "U" DW.88.107/1	8
12	500.090	SPRING "U25R D.5.5" SP CL "C"	4
13	023.020	FLAT WASHER M8=8,4X16X1,6 6592 ZB	40
14	020.056	SCREW TE M 8X45 8.8 5737 ZB	40
15	028.250	SEEGER RING EXT. D. 25 7436 (HEAVY)	1
16	500.058	SPRINGS SUPPORT TUBE L=1302	1
17	020.961	SCREW TE M 6X16 8.8 6921 ZB	72
18	08500404	RIGHT SIDE "N25AR/18/M"	1
19	08500406	TRASMISSION SHAFT PICK-UP 170	1
20	020.100	SCREW TE M 10X20 8.8 5739 ZB	6
21	50001362	WELD ASSY PICK-UP RIM Z=34	1
22	50001080	WELD ASSY PICK-UP FRAME 170	1
23	50002536	CHAIN WITH ROLLERS ASA60 71 P.+JOINT+F.M	1
24	020.636	SCREW TSPEI M 12X40 10.9 5933 ZB	1
25	021.030	NUT E 6S M 12 5589 ZB	4
26	500.009	COMPL. SMALL WHEEL (PICK-UP ROLLER)	4
27	500.008	NYLON BUSHING (PICK-UP ROLLER)	12
28	500.012	PICK-UP ROLLER PUNCHED SUPPORT	1
29	500.078	PLATE (PICK-UP 2001)	32
30	021.104	SELF-LOCKING NUT M 12 7474 ZB	4
31	08500405	LEFT SIDE "N25AR/18/M"	1
32	022.012	GREASE DEVICE M10X1 UNI 7663A 45° Z	1

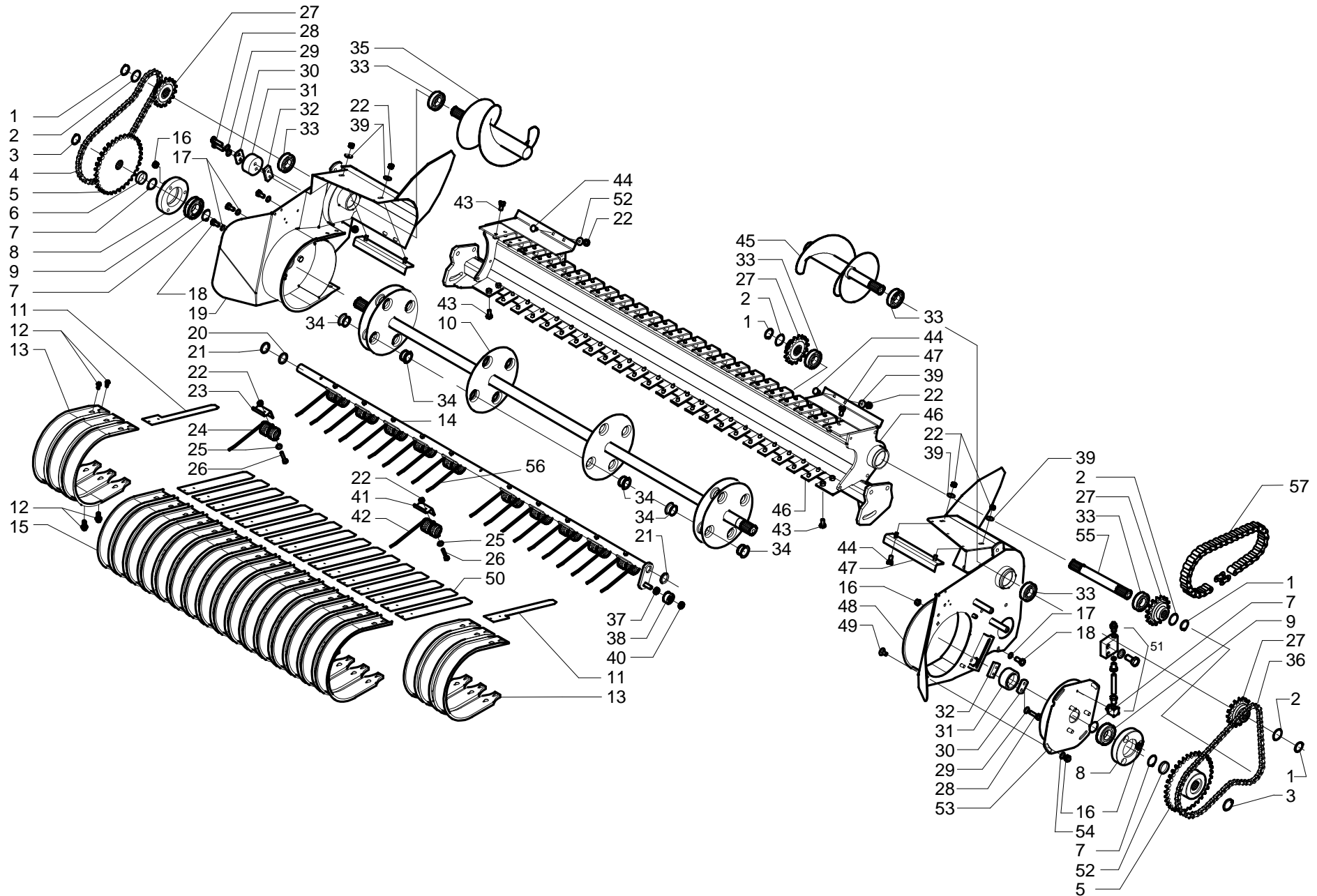
**S.N.**



S.N.

Pos.	Code	Description	Quantity
1	028.253	SEEGER RING EXT. D. 29 7436 (HEAVY)	4
2	028.322	RING TYPE "PS" 30X42X1 DIN988	3
3	028.257	SEEGER RING EXT. D. 34 7436 (HEAVY)	2
4	08500211	CHAIN ISO 56 LINKS	1
5	08500210	GEAR Z=34 3/4" ISO	2
6	08500215	CONTROL SPACER DX 35X12	1
7	028.112	SEEGER RING EXT. D.35 7435/471	4
8	08500223	SUPPORT SHAFT 72	2
9	050.008	BEARING 6207-2RS	2
10	08500204	WELD ASSY TRANSMISSION SHAFT	1
11	08500222	BAND EXTENSION SP"N25T" PICK-UP	2
12	020.961	SCREW TE M 6X16 8.8 6921 ZB	88
13	08500220	GUIDING BAND SP SV 729	10
14	08501054	SPRING SUPPORT TUBE	4
15	08500219	GUIDING BAND SV 729	12
16	021.103	SELF-LOCKING NUT M10 UNI 7474 ZB	13
17	023.302	GROWER WASHER A M10-D.10,5 1751 ZBD	8
18	020.101	SCREW TE M 10X25 8.8 5739 ZB	8
19	08500203	SIDE DX	1
20	028.250	SEEGER RING EXT. D. 25 7436 (HEAVY)	1
21	023.094	WASHER 28X42X4	2
22	021.114	SELF-LOCKING NUT M8 7473 ZB	53
23	500.091	PLATE "U" DW.88.107/1	4
24	500.090	SPRING "U25R D.5.5" SP CL "C"	4
25	023.020	FLAT WASHER M8=8,4X16X1,6 6592 ZB	48
26	020.056	SCREW TE M 8X45 8.8 5737 ZB	48
27	08500209	GEAR Z=15 3/4"ISO	4
28	020.104	SCREW TE M 10X40 8.8 5739 ZB	8
29	023.020	FLAT WASHER M8=8,4X16X1,6 6592 ZB	8
30	08500218	UPPER PLATE CHAIN TIGHTENER	2
31	08500216	CHAIN TIGHTENER	2
32	08500217	LOWER PLATE CHAIN TIGHTENER	2
33	050.103	BEARING 30X62X13 6206-2RS1	6
34	500.008	NYLON BUSHING (PICK-UP ROLLER)	24
35	08500208	AUGER RIGHT	1
36	08500212	CHAIN ISO 64 LIKS	1
37	021.030	NUT E 6S M 12 5589 ZB	4
38	08501055	TRACK ROLLERS LR5201 NPPU	4
39	023.017	FLAT WASHER M8=9X24X2 6593 ZB	8
40	021.113	SELF-LOCKING NUT M12 7473 ZB	4

**S.N.**

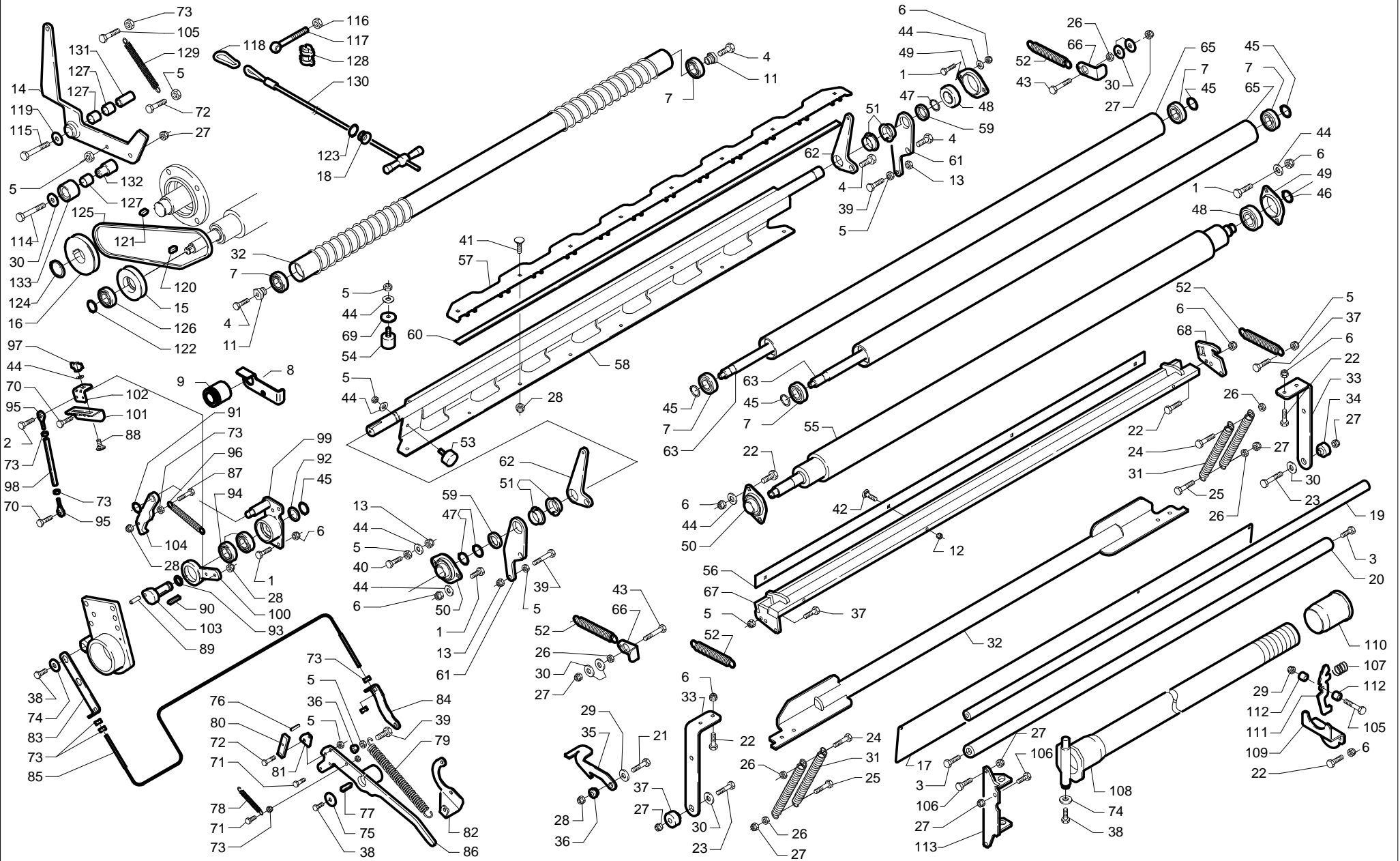


S.N.



Pos.	Code	Description	Quantity
41	500.078	PLATE (PICK-UP 2001)	11
42	500.090	SPRING "U25R D.5.5" SP CL "C"	11
43	020.698	SCREW TBEI M 10X20 10.9 7380 ZB	8
44	020.600	SCREW TTQST M 8X20 4.6 5731 ZB	8
45	08500207	AUGER LEFT	1
46	08500201	FRAME	1
47	50001238	AUGER SCRAPER	2
48	08500202	LEFT SIDE	1
49	020.865	SCREW TTQST M 10X20 8.8 5732 ZB	2
50	08500221	BAND EXTENSION PICK-UP	16
51	54003916	PICK-UP SINGLE POINT FEEDING BLOCK	1
52	08500214	COMMAND SPACER SX 35X8	1
53	08500205	CAM ORIENT. EST.X D35	1
54	023.030	FLAT WASHER M10=10,5X20X2 6592 ZB	8
55	08500213	RETURN SHAFT	1
56	500.077	SPRING (PICK-UP 2001)	10
57	50002102	CHAIN ASA 60 35 LINKS + JOINT	1

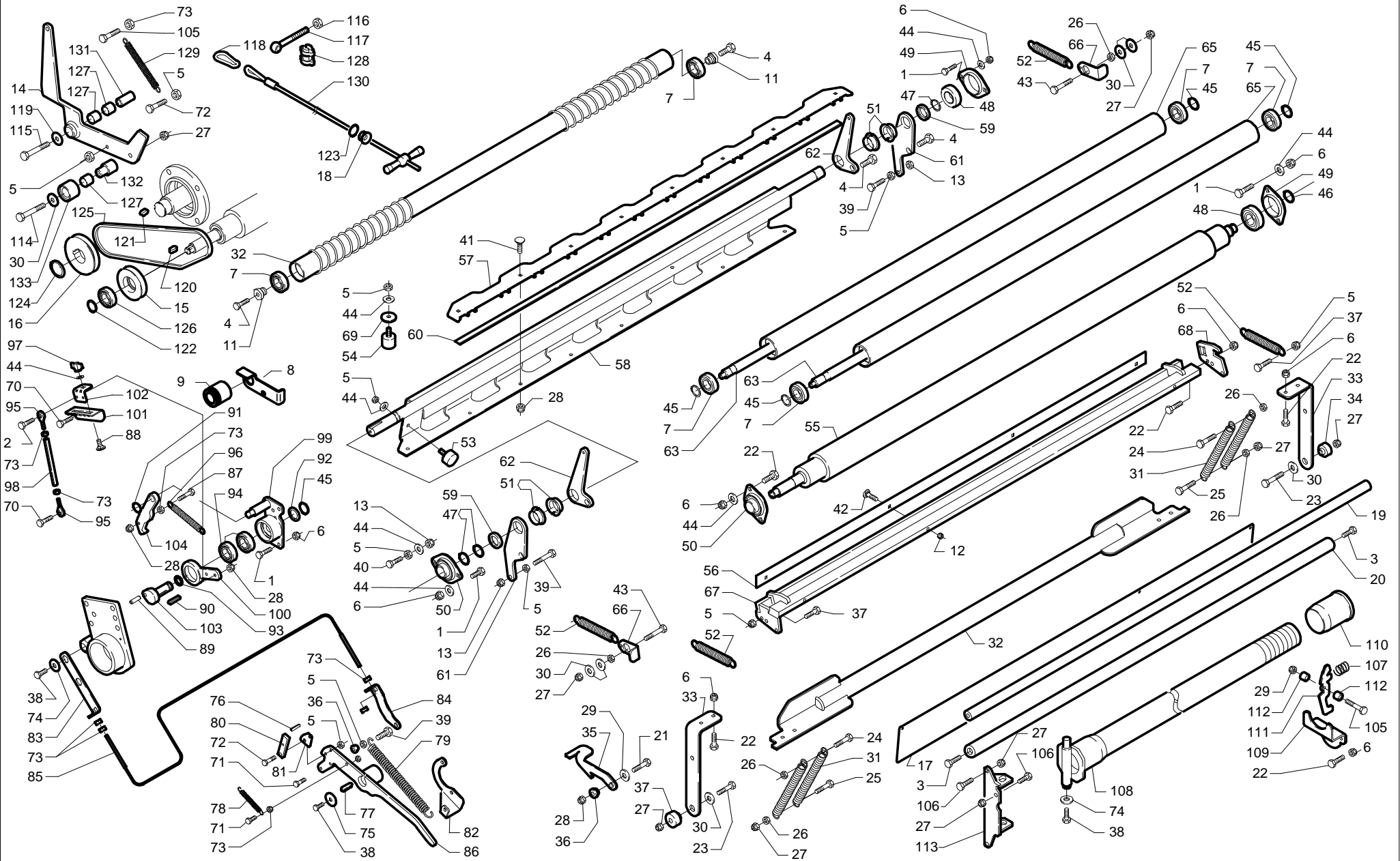
**S.N.**



S.N.

Pos.	Code	Description	Quantity
1	020.051	SCREW TE M 8X20 8.8 5739 ZB	8
2	020.054	SCREW TE M 8X35 8.8 5739 ZB	1
3	020.143	SCREW TE M 12X16 8.8 5739 ZB	3
4	020.150	SCREW TE M 12X20 8.8 5739 ZB	4
5	021.003	NUT E 6S M 8 5588 ZB	14
6	021.114	SELF-LOCKING NUT M8 7473 ZB	21
7	050.007	BEARING 20X47X14 6204-2RS	6
8	50003230	CONTROL CABLE ZB	1
9	50003231	CABLE PASSAGE SMALL WHEEL (PA 6)	1
10	50005611	WELD ASSY SPIRAL ROLLER	1
11	50005616	ROLLER SUPPORT	2
12	021.101	SELF-LOCKING NUT M 6 7474 ZB	4
13	021.102	SELF-LOCKING NUT M 8 7474 ZB	3
14	50005786	WELD ASSY BELT ACTIONING LEVER	1
15	50005879	PULLEY	1
16	50005892	PULLEY	1
17	50005726	NET DIVIDER "CORSA"	1
18	54005180	TWINE GUIDING BUSHING	1
19	50005826	RETURNING NET ROUND BAR ZB	1
20	50005828	WELD ASSY NET RETURN TUBE ZB	1
21	020.013	SCREW TE M 6X25 8.8 ISO 4017 ZB	2
22	020.052	SCREW TE M 8X25 8.8 5739 ZB	10
23	020.105	SCREW TE M 10X45 8.8 5737 ZB	2
24	020.107	SCREW TE M 10X60 8.8 ISO 4014 ZB	2
25	020.113	SCREW TE M 10X80 8.8 5739 ZB	2
26	021.004	NUT E 6S M 10 5588 ZB	6
27	021.112	SELF-LOCKING NUT M10 7473 ZB	12
28	021.115	SELF-LOCKING NUT M6 7473 ZB	15
29	023.005	FLAT WASHER M6=6,6X18X2 6593 ZB	2
30	023.027	FLAT WASHER M10=11X30X2,5 6593 ZB	7
31	50005695	NET BRAKE SPRING ZB	4
32	50005710	WELD ASSY NET BRAKE	1
33	50005715	NET BRAKE LEVER	2
34	50005716	SPACER PIN	2
35	50005717	NET BRAKE HOOKING	1
36	61006252	PIN D=10-14 ZB	2
37	020.025	SCREW TE M 8X50 8.8 5739 ZB	2
38	020.050	SCREW TE M 8X16 8.8 5739 ZB	3
39	020.053	SCREW TE M 8X30 8.8 ISO 4017 ZB	1
40	020.058	SCREW TE M 8X60 8.8 5737 ZB	1

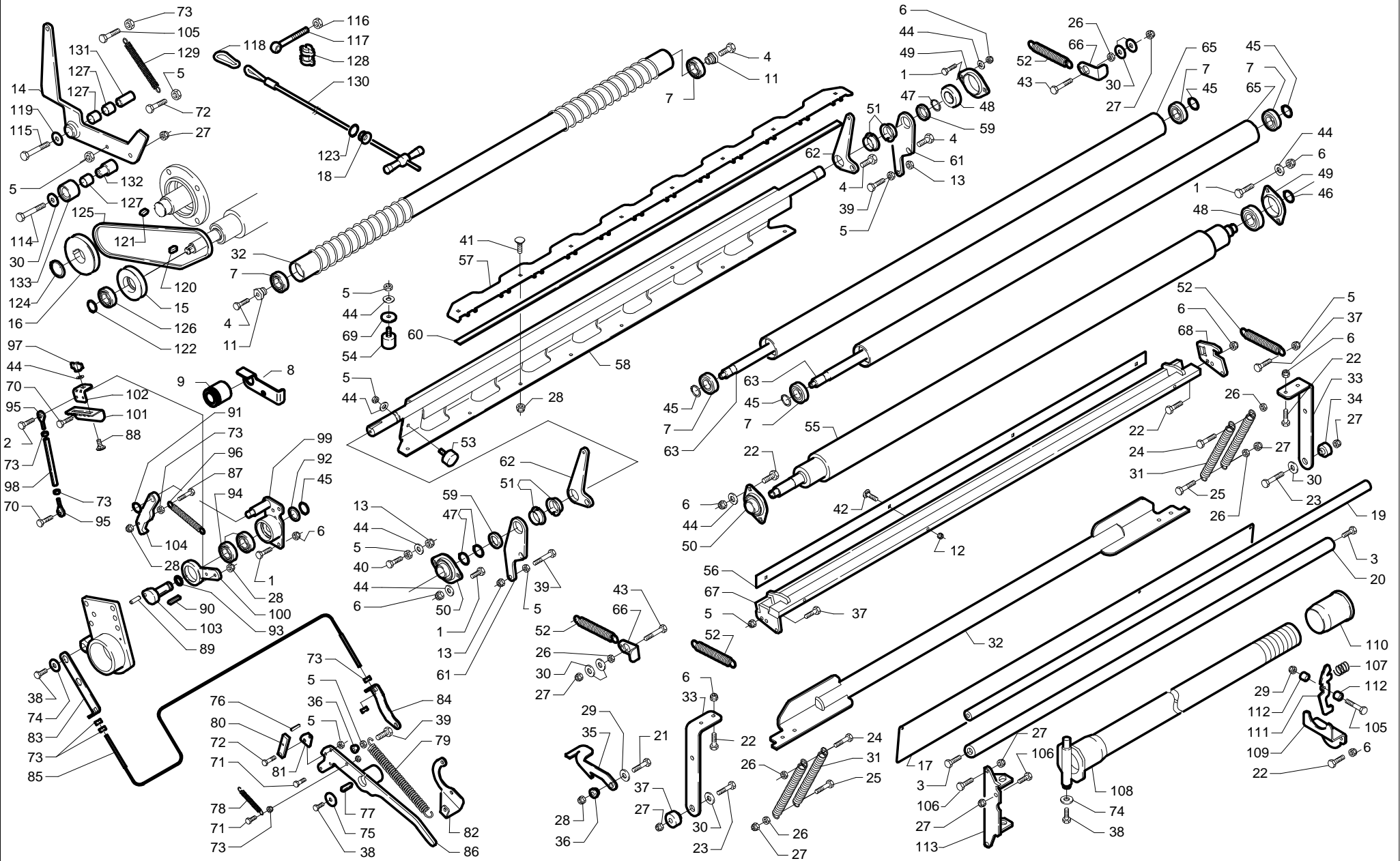
**S.N.**



S.N.

Pos.	Code	Description	Quantity
41	020.082	SCREW TTQST M 6X20 4.6 5731 ZB	8
42	020.084	SCREW TTQST M 6X40 4.6 5731 ZB	4
43	020.133	SCREW TE M 10X60 8.8 5739 ZB	2
44	023.020	FLAT WASHER M8=8,4X16X1,6 6592 ZB	13
45	028.105	SEEGER RING EXT. D. 20 7435/471	5
46	028.108	SEEGER RING EXT. D. 25 7435/471	1
47	028.250	SEEGER RING EXT. D. 25 7436 (HEAVY)	3
48	050.085	BEARING INA 205 NPPB (25X52X15)	2
49	051.051	PLATE FLANGE PFL205	2
50	051.101	BEARING WITH PLATE FLANGE PFL205 ZB	2
51	052.418	BUSH 25-28-35-11,5	4
52	056.100	DRIVE SPRING (2X15X75) ZB	4
53	096.301	DAMPER D.30 H=15 M8X20	2
54	096.305	DAMPER D.30 H=25 M8X23	2
55	50005503	COMPL. ASSY NET BINDING RUBBER ROLLER	1
56	50005725	NET SCRAPER BLADE	1
57	50005729	NET COMB 2010	1
58	50005730	WELD ASSY SHEAR	1
59	50005735	SHEAR SPACER ZB	2
60	50005738	BLADE CORSA-TUAREG	1
61	50005740	LOWER ROLLER ARM	2
62	50005741	UPPER ROLLER ARM	2
63	50005742	UPPER THRUST ROLLER SHAFT	1
64	50005743	LOWER THRUST ROLLER SHAFT	1
65	50005744	BINDING THRUST ROLLER	2
66	50005745	UPPER ROLLER SPRING HOOK	2
67	50005774	WELD ASSY NET SCRAPER WITH SUPPORT	1
68	50005776	NET SCRAPER SUPPORT PLATE	1
69	50005777	WASHER D.8-30 S=4	2
70	020.012	SCREW TE M 6X20 8.8 ISO 4017 ZB	4
71	020.014	SCREW TE M 6X30 8.8 5739 ZB	2
72	020.066	SCREW TE M 8X30 8.8 ISO 4014 ZB	2
73	021.002	NUT E 6S M 6 5588 ZB	11
74	023.017	FLAT WASHER M8=9X24X2 6593 ZB	2
75	023.019	FLAT WASHER M8=9X32X2,5 6593 ZB	1
76	024.348	ELASTIC PIN D. 6X22 6873 NE	1
77	027.204	GROOVE-AND-TONGUE JOINT 8X7X32 6604/A	1
78	056.001	DRIVE SPRING (1,2X10X47) ZB	1
79	30031340	SPRING A TRAZIONE 3,2X21X160 ZBD	1
80	50005580	CAM TRUT	1

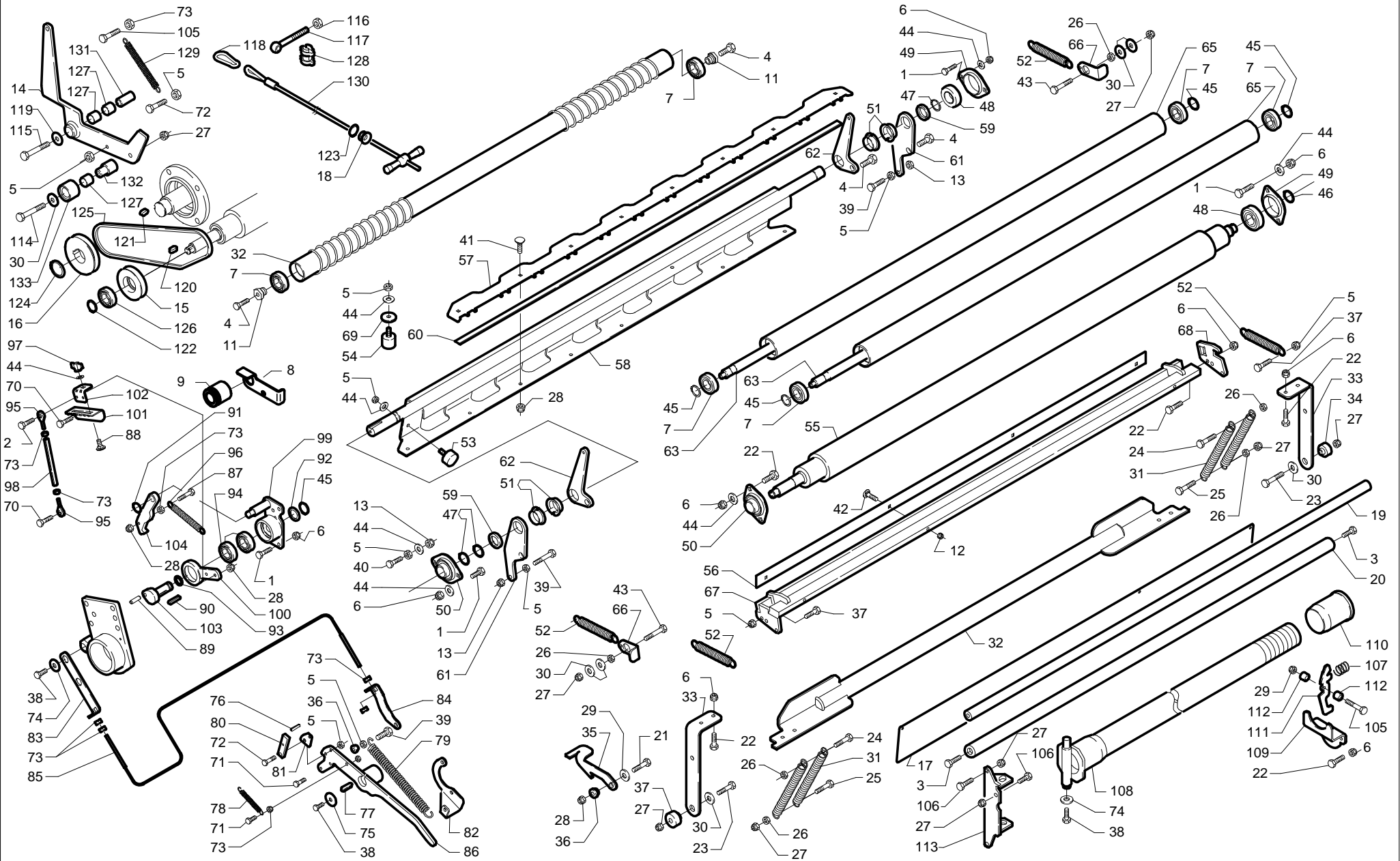
**S.N.**



S.N.

Pos.	Code	Description	Quantity
81	50005582	CAM SHIM	1
82	50005734	SPRING CONNECTING BRACKET	1
83	50005758	ROPE CONNECTION	1
84	50005759	LEVER ROPE CONNECTION CORSA	1
85	50005766	NET CUTTING REARMING CABLE 120 ZB	1
86	50005772	WELD ASSY LEVER FOR NET CUTTING CORSA	1
87	020.015	SCREW TE M6X35 8.8 5739 ZB	1
88	020.600	SCREW TTQST M 8X20 4.6 5731 ZB	1
89	024.366	ELASTIC PIN D. 8X28 6873 NE	1
90	027.102	GROOVE-AND-TONGUE JOINT 6X6X30 6604/A	1
91	028.100	RETAIN RING D15 UNI7435	1
92	028.302	RING TYPE "PS" 20X28X1 DIN988	1
93	046.014	O RING 119	1
94	050.039	FREE WHEEL BEARING CSK. P 20X47X14	2
95	050.046	SPHERICAL ARTICULAT. JOINT D. 6 ART.KA6D	2
96	056.050	DRIVE SPRING (1,5X15X73) ZB	1
97	095.258	LOCKING KNOB GB/40/FP M8	1
98	50005532	REGULATION HEXAGON CORSA	1
99	50005640	WELD ASSY CAM HUB	1
100	50005643	WELD ASSY SWINGING ARM	1
101	50005646	SWINGING ARM EXTENSION	1
102	50005647	TURNS REGULATION	1
103	50005648	CAM	1
104	50005649	HOOK	1
105	020.004	SCREW TE M 6X35 8.8 5737 ZB	2
106	020.101	SCREW TE M 10X25 8.8 5739 ZB	3
107	10004127	SPRING D.15X24 ZB	1
108	50005810	WELD ASSY NET AXLE	1
109	50005815	NET AXLE SUPPORT	1
110	50005816	ROLLER NET CENTERING	1
111	50005818	NET AXLE HOOK	1
112	50005819	PIN D.6-12 L=10	2
113	50005866	WELD ASSY NET AXLE FULCRUM BRACKET	1
114	020.126	SCREW TE M 10X70 8.8 5739 ZB	1
115	020.176	SCREW TE M 12X70 8.8 5737 ZB	1
116	021.005	NUT E 6S M 12 5588 ZB	1
117	022.143	EYE TIE-ROD M 12 L=100 6058 ZB	1
118	022.210	SNAP-HOOK D7X70	1
119	023.025	FLAT WASHER M12=14X36X3 6593 ZB	1
120	027.005	GROOVE-AND-TONGUE JOINT 5X5X10 6604/A	1

**S.N.**

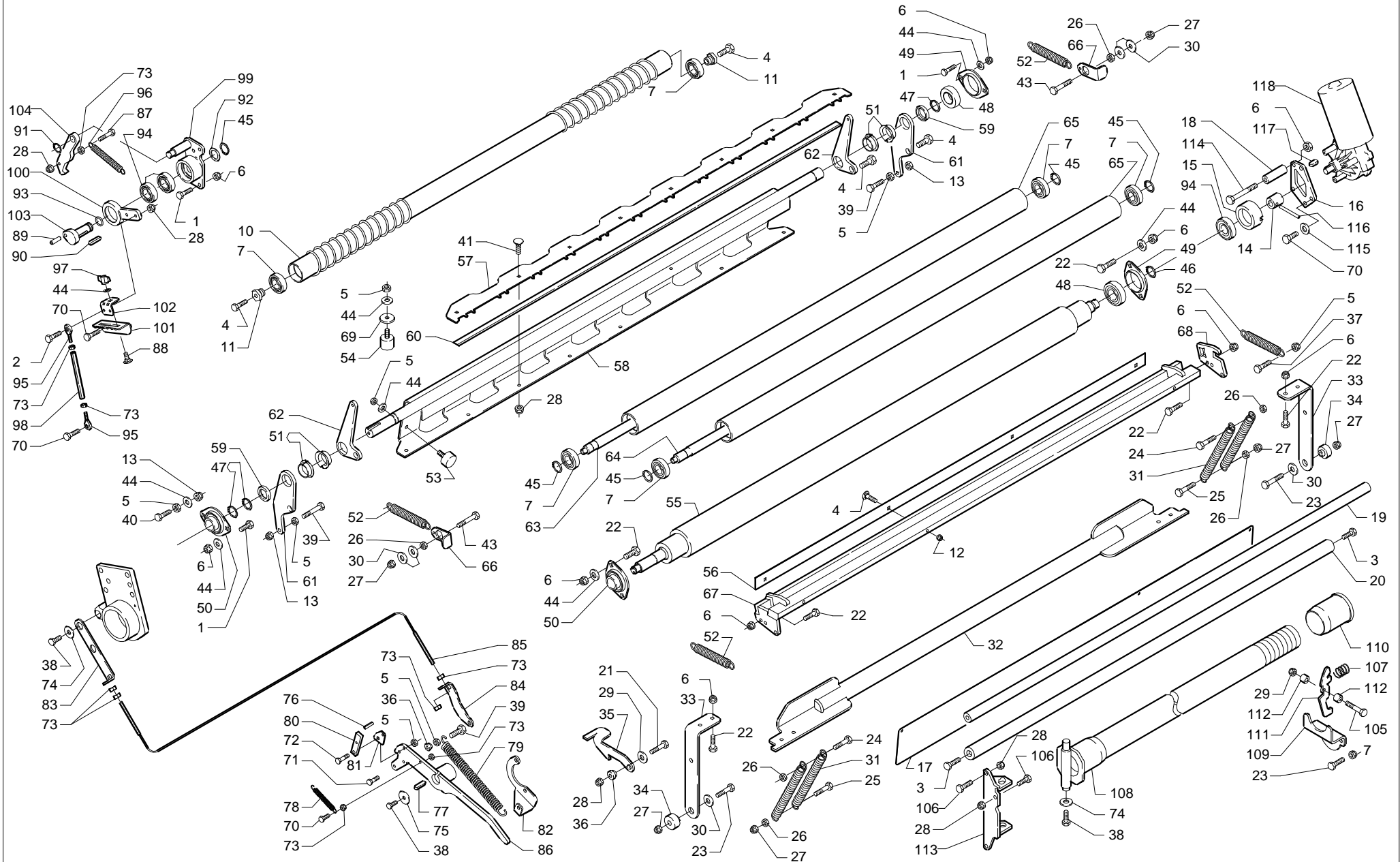


S.N.



Pos.	Code	Description	Quantity
121	027.214	GROOVE-AND- TONGUE JOINT 8X7X16 6604/A	1
122	028.102	SEEGER RING EXT. D. 17 7435/471	1
123	028.104	SEEGER RING EXT. D.18 7435/471	1
124	028.112	SEEGER RING EXT. D.35 7435/471	1
125	031.020	BELT Z 34 1/4" (10X6) L=870	1
126	050.040	FREE WHEEL BEARING CSK. P 17X40X12	1
127	052.100	BUSH 20-23-20	3
128	095.057	LOCK NYLON CABLE	1
129	10001912	SEED COVER SPRING ZB	1
130	50005302	COMPL. ASSY BINDING STARTING ROPE L=4MT	1
131	50005783	NET BINDING LEVER PIN	1
132	50005784	TIE-ROD PULLEY PIN	1
133	50005785	TIGHTENER PULLEY	1

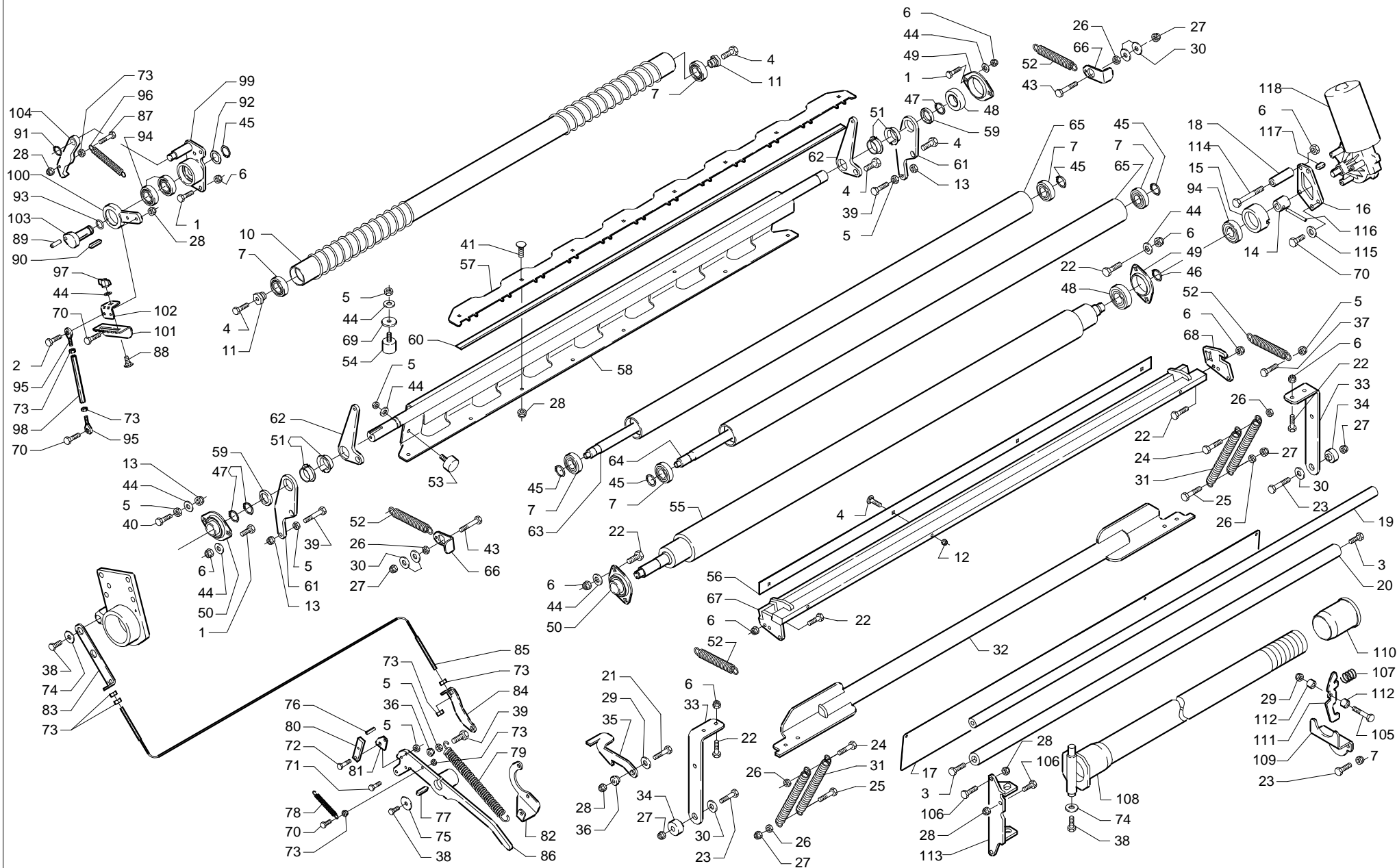
**S.N.**



S.N.

Pos.	Code	Description	Quantity
1	020.051	SCREW TE M 8X20 8.8 5739 ZB	6
2	020.054	SCREW TE M 8X35 8.8 5739 ZB	1
3	020.143	SCREW TE M 12X16 8.8 5739 ZB	3
4	020.150	SCREW TE M 12X20 8.8 5739 ZB	4
5	021.003	NUT E 6S M 8 5588 ZB	12
6	021.114	SELF-LOCKING NUT M8 7473 ZB	21
7	050.007	BEARING 20X47X14 6204-2RS	6
8	50003230	CONTROL CABLE ZB	1
9	50003231	CABLE PASSAGE SMALL WHEEL (PA 6)	1
10	50005611	WELD ASSY SPIRAL ROLLER	1
11	50005616	ROLLER SUPPORT	2
12	021.101	SELF-LOCKING NUT M 6 7474 ZB	4
13	021.102	SELF-LOCKING NUT M 8 7474 ZB	3
14	50005088	ELECTRIC MOTOR SLEEVE ZB	1
15	50005550	DRAWOMG BUSH	1
16	50005770	MOTOR SUPPORT FOR NET BINDING SYSTEM	1
17	50005726	NET DIVIDER "CORSA"	1
18	50005771	MOTOR SUPPORT SPACER	2
19	50005826	RETURNING NET ROUND BAR ZB	1
20	50005828	WELD ASSY NET RETURN TUBE ZB	1
21	020.013	SCREW TE M 6X25 8.8 ISO 4017 ZB	2
22	020.052	SCREW TE M 8X25 8.8 5739 ZB	10
23	020.105	SCREW TE M 10X45 8.8 5737 ZB	2
24	020.107	SCREW TE M 10X60 8.8 ISO 4014 ZB	2
25	020.113	SCREW TE M 10X80 8.8 5739 ZB	2
26	021.004	NUT E 6S M 10 5588 ZB	6
27	021.112	SELF-LOCKING NUT M10 7473 ZB	11
28	021.115	SELF-LOCKING NUT M6 7473 ZB	15
29	023.005	FLAT WASHER M6=6,6X18X2 6593 ZB	2
30	023.027	FLAT WASHER M10=11X30X2,5 6593 ZB	6
31	50005695	NET BRAKE SPRING ZB	4
32	50005710	WELD ASSY NET BRAKE	1
33	50005715	NET BRAKE LEVER	2
34	50005716	SPACER PIN	2
35	50005717	NET BRAKE HOOKING	1
36	61006252	PIN D=10-14 ZB	2
37	020.025	SCREW TE M 8X50 8.8 5739 ZB	2
38	020.050	SCREW TE M 8X16 8.8 5739 ZB	3
39	020.053	SCREW TE M 8X30 8.8 ISO 4017 ZB	1
40	020.058	SCREW TE M 8X60 8.8 5737 ZB	1

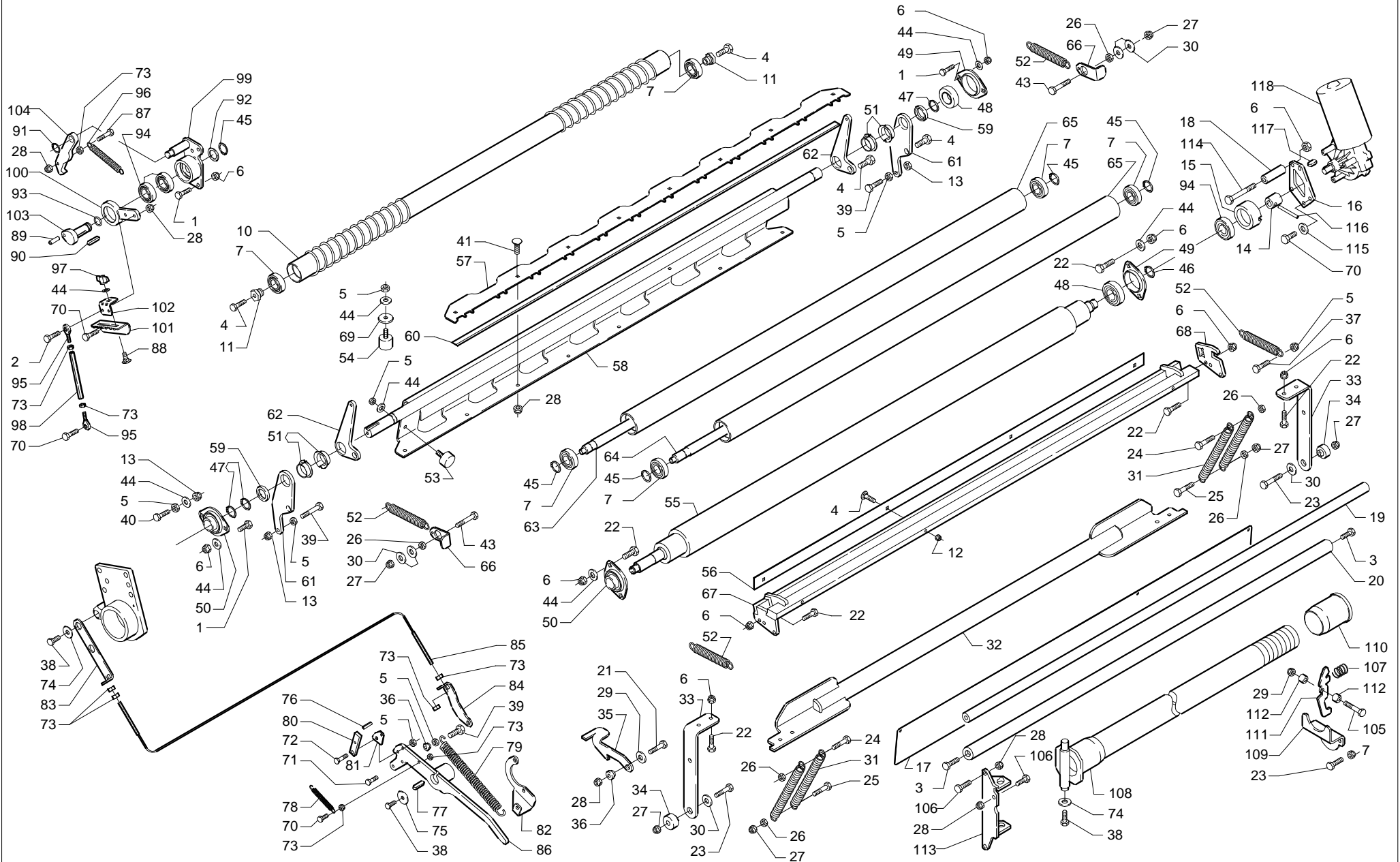
**S.N.**



S.N.

Pos.	Code	Description	Quantity
41	020.082	SCREW TTQST M 6X20 4.6 5731 ZB	8
42	020.084	SCREW TTQST M 6X40 4.6 5731 ZB	4
43	020.133	SCREW TE M 10X60 8.8 5739 ZB	2
44	023.020	FLAT WASHER M8=8,4X16X1,6 6592 ZB	11
45	028.105	SEEGER RING EXT. D. 20 7435/471	5
46	028.108	SEEGER RING EXT. D. 25 7435/471	1
47	028.250	SEEGER RING EXT. D. 25 7436 (HEAVY)	3
48	050.085	BEARING INA 205 NPPB (25X52X15)	2
49	051.051	PLATE FLANGE PFL205	2
50	051.101	BEARING WITH PLATE FLANGE PFL205 ZB	2
51	052.418	BUSH 25-28-35-11,5	4
52	056.100	DRIVE SPRING (2X15X75) ZB	4
53	096.301	DAMPER D.30 H=15 M8X20	2
54	096.305	DAMPER D.30 H=25 M8X23	2
55	50005503	COMPL. ASSY NET BINDING RUBBER ROLLER	1
56	50005725	NET SCRAPER BLADE	1
57	50005729	NET COMB 2010	1
58	50005730	WELD ASSY SHEAR	1
59	50005735	SHEAR SPACER ZB	2
60	50005738	BLADE CORSA-TUAREG	1
61	50005740	LOWER ROLLER ARM	2
62	50005741	UPPER ROLLER ARM	2
63	50005742	UPPER THRUST ROLLER SHAFT	1
64	50005743	LOWER THRUST ROLLER SHAFT	1
65	50005744	BINDING THRUST ROLLER	2
66	50005745	UPPER ROLLER SPRING HOOK	2
67	50005774	WELD ASSY NET SCRAPER WITH SUPPORT	1
68	50005776	NET SCRAPER SUPPORT PLATE	1
69	50005777	WASHER D.8-30 S=4	2
70	020.012	SCREW TE M 6X20 8.8 ISO 4017 ZB	7
71	020.014	SCREW TE M 6X30 8.8 5739 ZB	2
72	020.066	SCREW TE M 8X30 8.8 ISO 4014 ZB	1
73	021.002	NUT E 6S M 6 5588 ZB	10
74	023.017	FLAT WASHER M8=9X24X2 6593 ZB	2
75	023.019	FLAT WASHER M8=9X32X2,5 6593 ZB	1
76	024.348	ELASTIC PIN D. 6X22 6873 NE	1
77	027.204	GROOVE-AND-TONGUE JOINT 8X7X32 6604/A	1
78	056.001	DRIVE SPRING (1,2X10X47) ZB	1
79	30031340	SPRING A TRAZIONE 3,2X21X160 ZBD	1
80	50005580	CAM TRUT	1

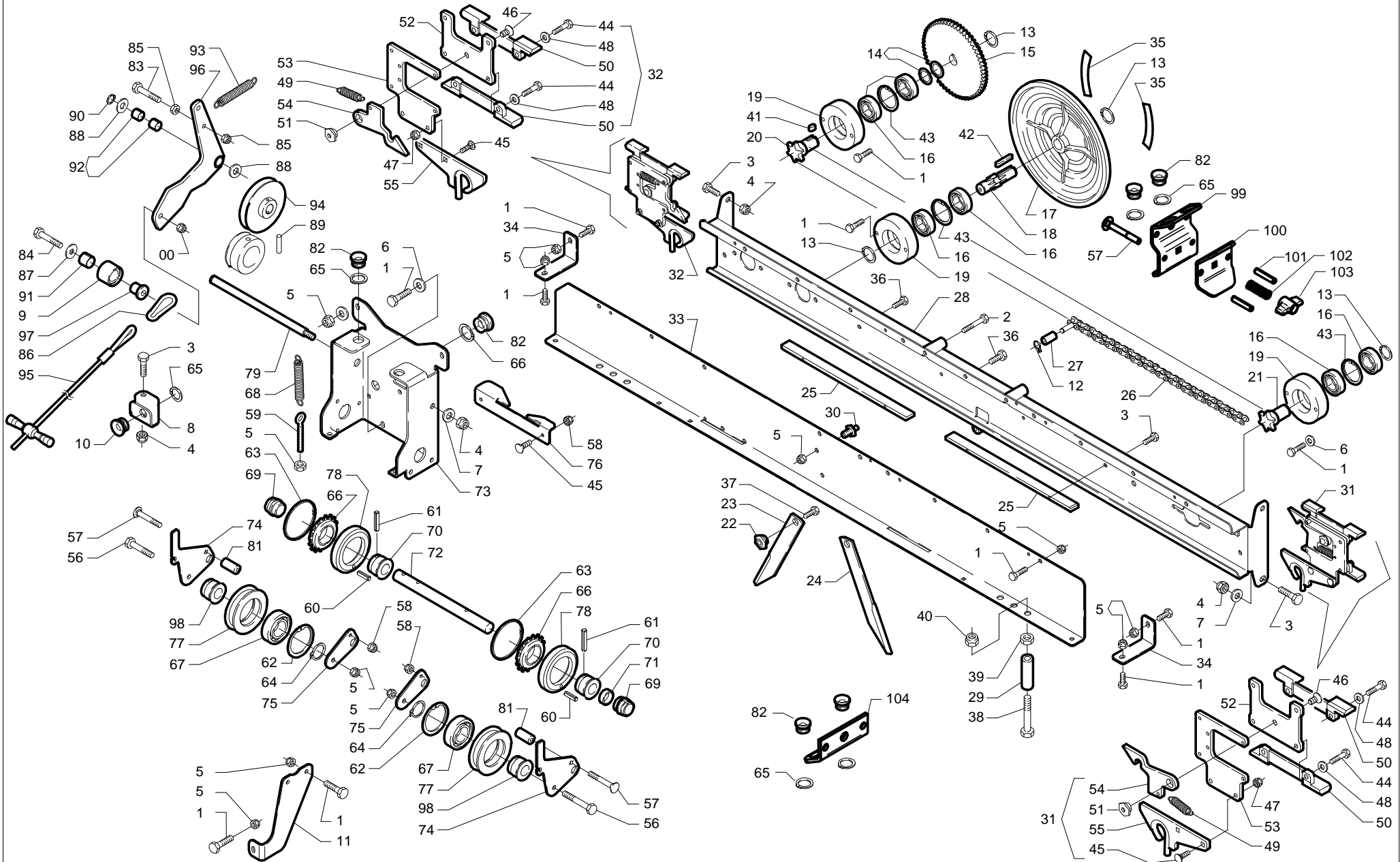
**S.N.**



S.N.

Pos.	Code	Description	Quantity
81	50005582	CAM SHIM	1
82	50005734	SPRING CONNECTING BRACKET	1
83	50005758	ROPE CONNECTION	1
84	50005759	LEVER ROPE CONNECTION CORSA	1
85	50005766	NET CUTTING REARMING CABLE 120 ZB	1
86	50005772	WELD ASSY LEVER FOR NET CUTTING CORSA	1
87	020.015	SCREW TE M6X35 8.8 5739 ZB	1
88	020.600	SCREW TTQST M 8X20 4.6 5731 ZB	1
89	024.366	ELASTIC PIN D. 8X28 6873 NE	1
90	027.102	GROOVE-AND-TONGUE JOINT 6X6X30 6604/A	1
91	028.100	RETAIN RING D15 UNI7435	1
92	028.302	RING TYPE "PS" 20X28X1 DIN988	1
93	046.014	O RING 119	1
94	050.039	FREE WHEEL BEARING CSK. P 20X47X14	3
95	050.046	SPHERICAL ARTICULAT. JOINT D. 6 ART.KA6D	2
96	056.050	DRIVE SPRING (1,5X15X73) ZB	1
97	095.258	LOCKING KNOB GB/40/FP M8	1
98	50005532	REGULATION HEXAGON CORSA	1
99	50005640	WELD ASSY CAM HUB	1
100	50005643	WELD ASSY SWINGING ARM	1
101	50005646	SWINGING ARM EXTENSION	1
102	50005647	TURNS REGULATION	1
103	50005648	CAM	1
104	50005649	HOOK	1
105	020.004	SCREW TE M 6X35 8.8 5737 ZB	1
106	020.101	SCREW TE M 10X25 8.8 5739 ZB	3
107	10004127	SPRING D.15X24 ZB	1
108	50005810	WELD ASSY NET AXLE	1
109	50005815	NET AXLE SUPPORT	1
110	50005816	ROLLER NET CENTERING	1
111	50005818	NET AXLE HOOK	1
112	50005819	PIN D.6-12 L=10	2
113	50005866	WELD ASSY NET AXLE FULCRUM BRACKET	1
114	020.071	SCREW TE M 8X90 8.8 5739 ZB	2
115	023.010	FLAT WASHER M6=6,3X12X1,6 6592 ZB	3
116	024.416	EL. SPIR. PIN D. 6X55 6875 NE	1
117	027.806	SPLINE 6X4X14 7510/A	1
118	076.455	MOTOREDUC. UNIT BONETTI 12V-180W-90RPM	1

**S.N.**

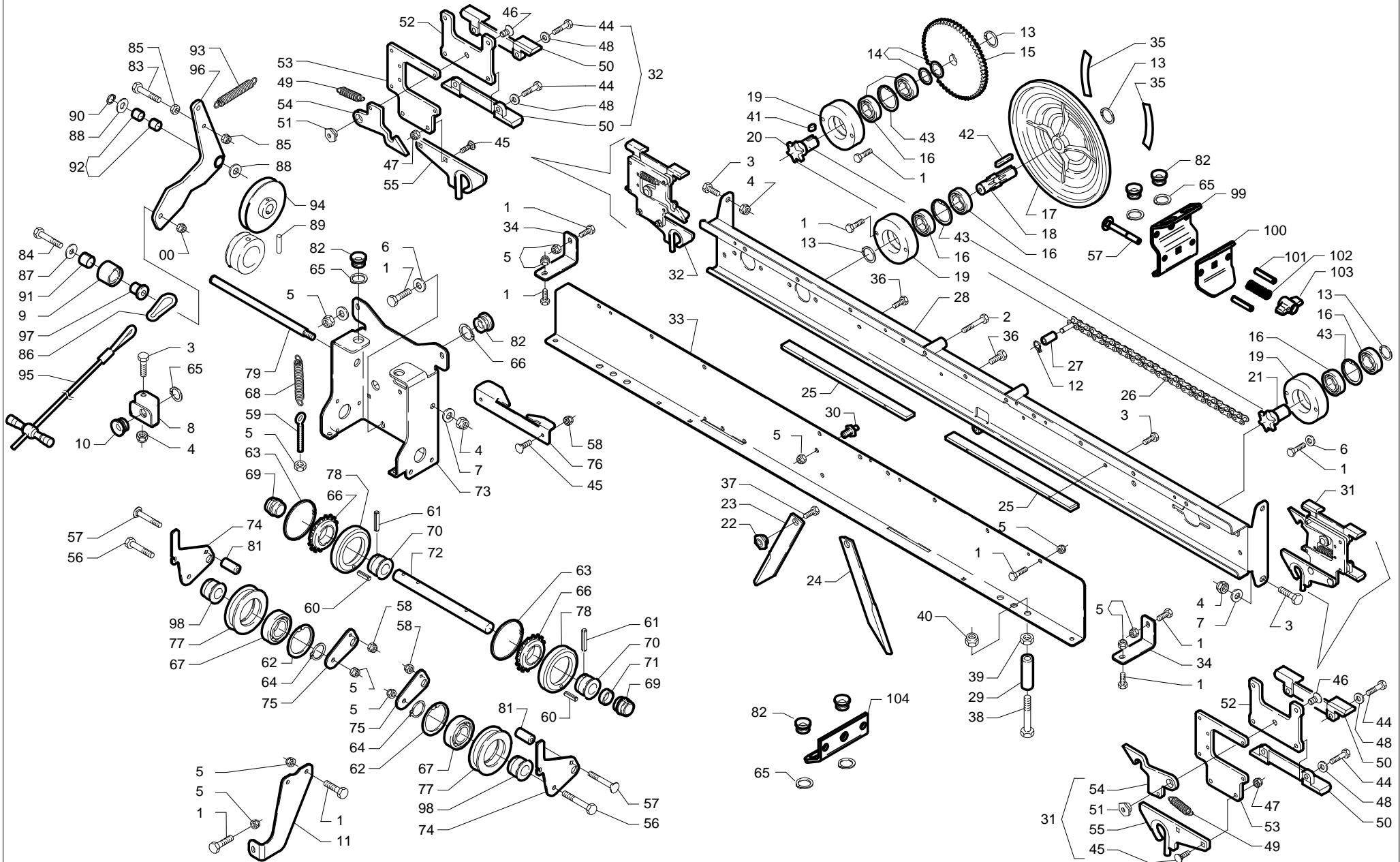


S.N.



Pos.	Code	Description	Quantity
1	020.051	SCREW TE M 8X20 8.8 5739 ZB	23
2	020.060	SCREW TE M 8X70 8.8 5737 ZB	2
3	020.101	SCREW TE M 10X25 8.8 5739 ZB	6
4	021.112	SELF-LOCKING NUT M10 7473 ZB	8
5	021.114	SELF-LOCKING NUT M8 7473 ZB	24
6	023.020	FLAT WASHER M8=8,4X16X1,6 6592 ZB	6
7	023.030	FLAT WASHER M10=10,5X20X2 6592 ZB	3
8	50005455	ROPE PASSAGE SMALL BRACKET	1
9	50005785	TIGHTENER PULLEY	1
10	54005180	TWINE GUIDING BUSHING	1
11	50005424	ANCHOR BRACKET CORSA	1
12	028.094	SEEGER RING EXT. D. 5 7435/471	2
13	028.105	SEEGER RING EXT. D. 20 7435/471	4
14	028.302	RING TYPE "PS" 20X28X1 DIN988	2
15	033.211	RING M=2.5 Z=60 ZB	1
16	050.001	BEARING 6004-2RS	6
17	50005020	PULLEY	1
18	50005022	TOOTHED SHAFT	1
19	50005024	SUPPORT	3
20	50005026	MOTOR PINION ZB	1
21	50005028	CONduc. PINION ZB	1
22	50005054	SPACER ZB	2
23	50005058	LEFT BLADE INOX	1
24	50005060	RIGHT BLADE INOX	1
25	50005062	GUIDE PLATE ZB	2
26	50005064	CHAIN 5/8"X3/8" S.142 CLOSED LINKS ISO	1
27	50005066	PAWL	2
28	50005068	WELD ASSY BINDING SUPPORT	1
29	50005077	TWINE END RUN TUBE	2
30	50005080	END RUN HEXAGON ZB	2
31	50005414	COMPL. ASSY TROLLEY 2007 RIGHT	1
32	50005415	COMPL. ASSY TROLLEY 2007 LEFT	1
33	50005430	BINDING CLOSING COVER 2007	1
34	50005431	COVER CONNECTION	2
35	89006018	TWINES PULLEY ADHESIVE	2
36	020.009	SCREW TE M 6X12 8.8 5739 ZB	4
37	020.050	SCREW TE M 8X16 8.8 5739 ZB	2
38	020.185	SCREW TE M 12X90 70.9 5737 ZB	2
39	021.005	NUT E 6S M 12 5588 ZB	2
40	021.113	SELF-LOCKING NUT M12 7473 ZB	2

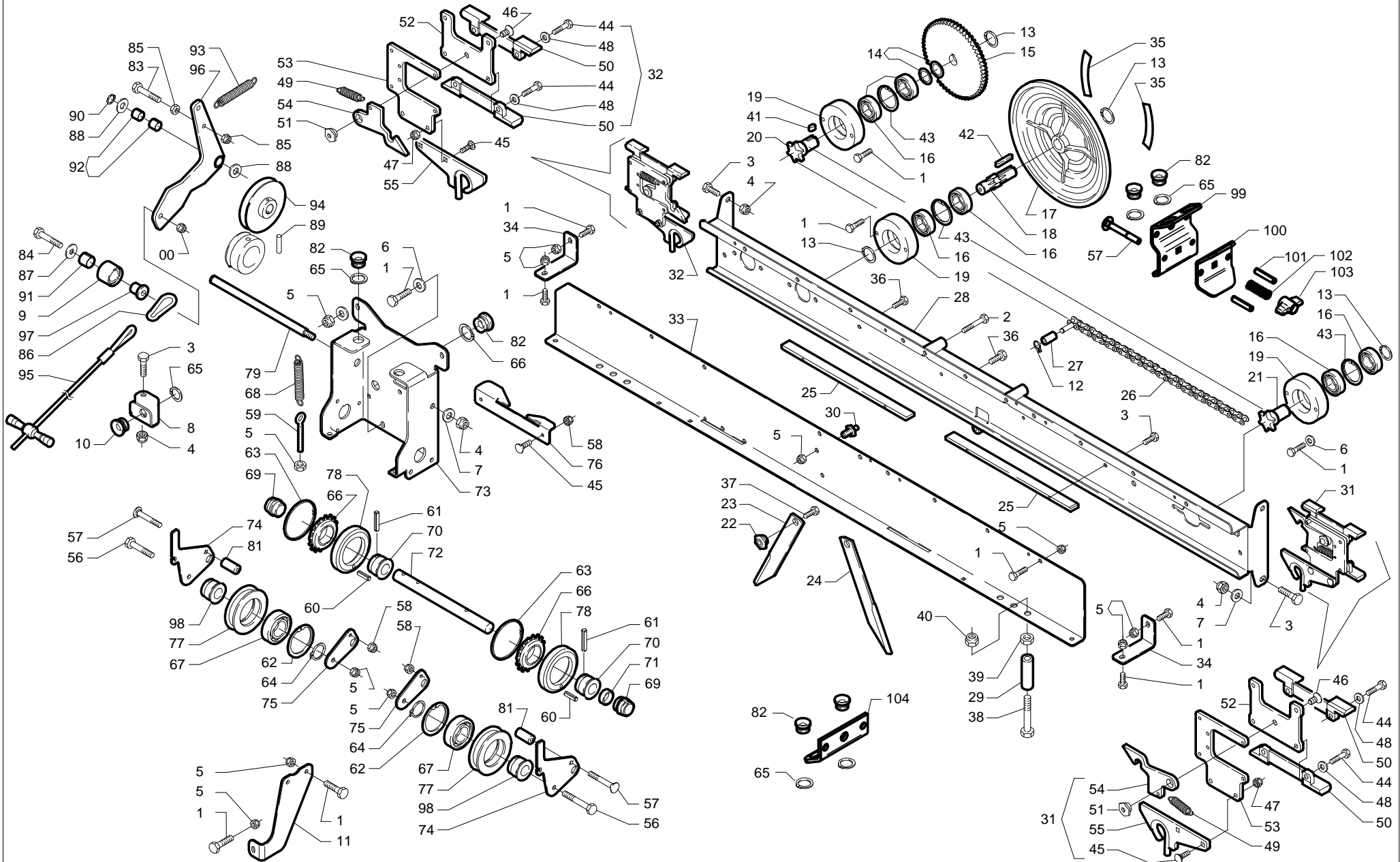
**S.N.**



S.N.

Pos.	Code	Description	Quantity
41	027.099	GROOVE-AND-TONGUE JOINT 6X6X10 6604/A	1
42	027.104	GROOVE-AND-TONGUE JOINT 6X6X35 6604/A	1
43	028.001	SEEGER RING INT. D. 42 7437/472	3
44	020.013	SCREW TE M 6X25 8.8 ISO 4017 ZB	8
45	020.082	SCREW TTQST M 6X20 4.6 5731 ZB	6
46	020.678	SCREW TSPEI M 8X16 10.9 5933 ZB	2
47	021.101	SELF-LOCKING NUT M 6 7474 ZB	4
48	023.010	FLAT WASHER M6=6,3X12X1,6 6592 ZB	8
49	50005040	DRIVE SPRING 1,2X11,8X36,6 ZBD	2
50	50005048	SLIDING BLOCK (NYLON 66)	4
51	50005054	SPACER ZB	2
52	50005440	GUIDE 2007	2
53	50005441	EYES HOOKING	2
54	50005442	HOOK	2
55	50005444	WELD ASSY TWINE GUIDE WYE ZB	2
56	020.026	SCREW TE M 8X55 8.8 5737 ZB	2
57	020.736	SCREW TTQST M 6X50 4.6 5731 ZB	2
58	021.115	SELF-LOCKING NUT M6 7473 ZB	4
59	022.310	EYE OF TIE-ROD M8X60 RIGHT	2
60	024.342	ELASTIC PIN D. 6X16 6873 NE	2
61	024.344	ELASTIC PIN D. 6X30 6873 NE	2
62	028.010	SEEGER RING INT. D. 55 7437/472	2
63	028.022	SEEGER RING INT. D. 72 7437/742	2
64	028.110	SEEGER RING EXT. D. 30 7435/471	2
65	028.237	SEEGER RING EXT. D. 18 7436 (HEAVY)	5
66	033.300	FREE WHEEL JFI Z16-1/2"X1/8"	2
67	050.002	BEARING 6006-2RS	2
68	056.100	DRIVE SPRING (2X15X75) ZB	2
69	50005092	BUSHING	2
70	50005096	FREE WHEEL PIN ZB	2
71	50005100	SPACER	1
72	50005110	MOTOR SHAFT ZB	1
73	50005420	BINDING SYSTEM FRAME	1
74	50005421	TWINE PRESS LEVER WITH SPRING	2
75	50005422	TWINE PRESS LEVER	2
76	50005423	ANTI-EXIT PROFILE ZB	1
77	50005425	TWINE DRIVING SMALL WHEEL 2007	2
78	50005426	TWINE MOTOR SMALL WHEEL ZB	2
79	50005427	BINDING FRAME PIN	1
80	50005428	TWINE PRESS PIN	2

**S.N.**



S.N.

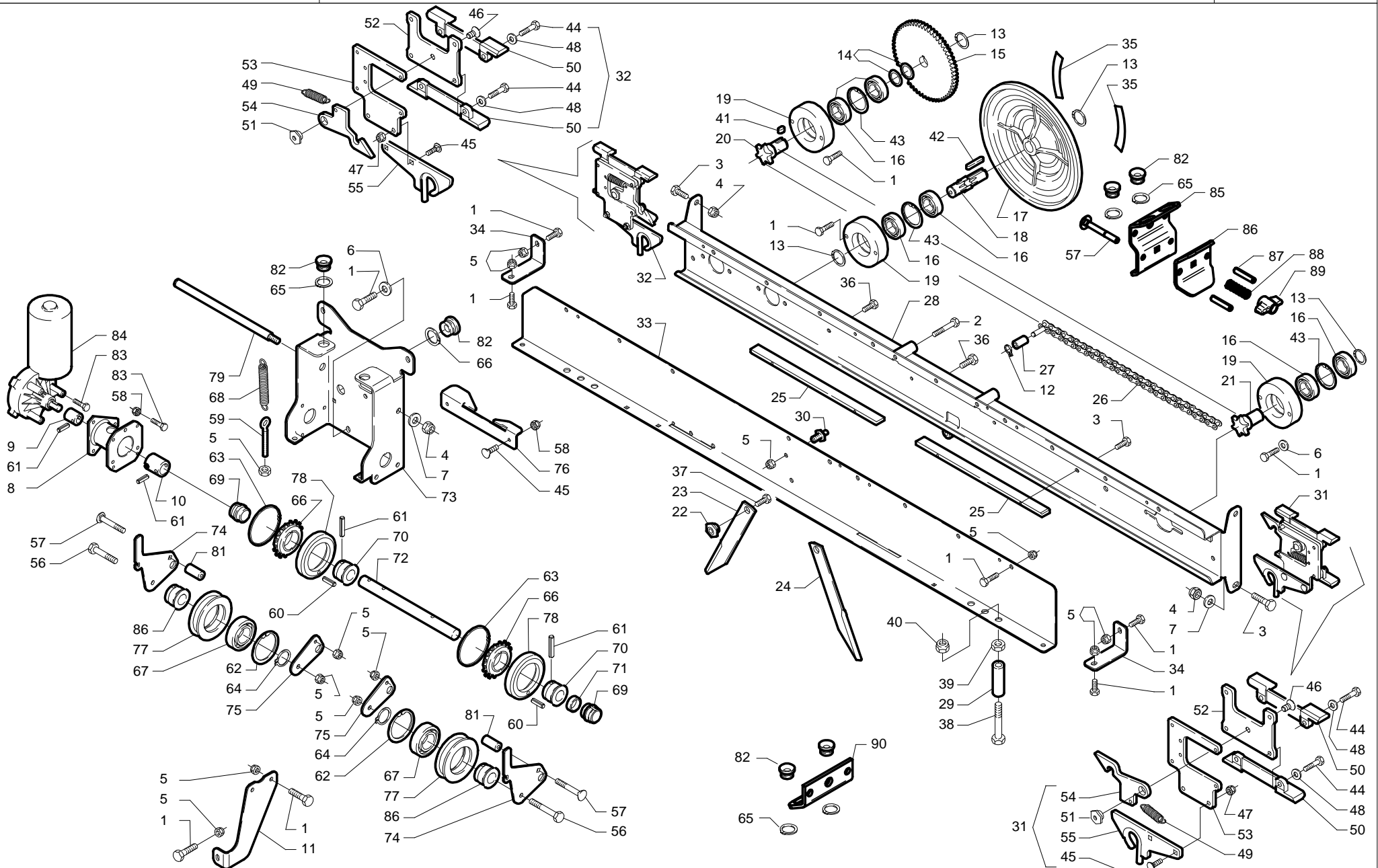
Pos.	Code	Description	Quantity
81	50005429	TWINES PRESS LEVER SPACER	2
82	54005180	TWINE GUIDING BUSHING	4
83	020.049	SCREW TE M 8X40 8.8 5737 ZB	1
84	020.106	SCREW M 10X50 8.8 ISO 4014 ZB	1
85	021.003	NUT E 6S M 8 5588 ZB	2
86	022.210	SNAP-HOOK D7X70	1
87	023.027	FLAT WASHER M10=11X30X2,5 6593 ZB	1
88	023.035	FLAT WASHER M14=15X28X2,5 6592 ZB	2
89	024.345	ELASTIC PIN D. 6X40 6873 NE	1
90	028.101	SEEGER RING EXT. D. 14 7435/471	1
91	052.100	BUSH 20-23-20	1
92	052.160	BUSH 14-16-15	2
93	10001912	SEED COVER SPRING ZB	1
94	50005124	PULLEY	1
95	50005302	COMPL. ASSY BINDING STARTING ROPE L=4MT	1
96	50005450	WELD ASSY TWINE BINDING LEVER	1
97	50005454	TWINE TIGHTENER PULEY PIN	1
98	50005428	TWINE PRESS PIN	1
99	50005174	TWINE BRAKE SUPPORT ZB	1
100	50005176	TWINE BRAKE ZB	1
101	024.405	EL. SPIR. PIN D. 10X30 6875 NE	1
102	50005178	SPRING ZB	1
103	52000728	HAND M6	1
104	50005170	TWINE DIVERTER ZB	1

**S.N.**



Pos.	Code	Description	Quantity
1	020.051	SCREW TE M 8X20 8.8 5739 ZB	23
2	020.060	SCREW TE M 8X70 8.8 5737 ZB	2
3	020.101	SCREW TE M 10X25 8.8 5739 ZB	4
4	021.112	SELF-LOCKING NUT M10 7473 ZB	5
5	021.114	SELF-LOCKING NUT M8 7473 ZB	24
6	023.020	FLAT WASHER M8=8,4X16X1,6 6592 ZB	6
7	023.030	FLAT WASHER M10=10,5X20X2 6592 ZB	3
8	50005082	WELD ASSY MOTOR SUPORT ZB	1
9	50005088	ELECTRIC MOTOR SLEEVE ZB	1
10	50005090	JOINT ZB	1
11	50005424	ANCHOR BRACKET CORSA	1
12	028.094	SEEGER RING EXT. D. 5 7435/471	2
13	028.105	SEEGER RING EXT. D. 20 7435/471	4
14	028.302	RING TYPE "PS" 20X28X1 DIN988	2
15	033.211	RING M=2.5 Z=60 ZB	1
16	050.001	BEARING 6004-2RS	6
17	50005020	PULLEY	1
18	50005022	TOOTHED SHAFT	1
19	50005024	SUPPORT	3
20	50005026	MOTOR PINION ZB	1
21	50005028	CONduc. PINION ZB	1
22	50005054	SPACER ZB	2
23	50005058	LEFT BLADE INOX	1
24	50005060	RIGHT BLADE INOX	1
25	50005062	GUIDE PLATE ZB	2
26	50005064	CHAIN 5/8"X3/8" S.142 CLOSED LINKS ISO	1
27	50005066	PAWL	2
28	50005068	WELD ASSY BINDING SUPPORT	1
29	50005077	TWINE END RUN TUBE	2
30	50005080	END RUN HEXAGON ZB	2
31	50005414	COMPL. ASSY TROLLEY 2007 RIGHT	1
32	50005415	COMPL. ASSY TROLLEY 2007 LEFT	1
33	50005430	BINDING CLOSING COVER 2007	1
34	50005431	COVER CONNECTION	2
35	89006018	TWINES PULLEY ADHESIVE	2
36	020.009	SCREW TE M 6X12 8.8 5739 ZB	4
37	020.050	SCREW TE M 8X16 8.8 5739 ZB	2
38	020.185	SCREW TE M 12X90 70.9 5737 ZB	2
39	021.005	NUT E 6S M 12 5588 ZB	2
40	021.113	SELF-LOCKING NUT M12 7473 ZB	2

**S.N.**

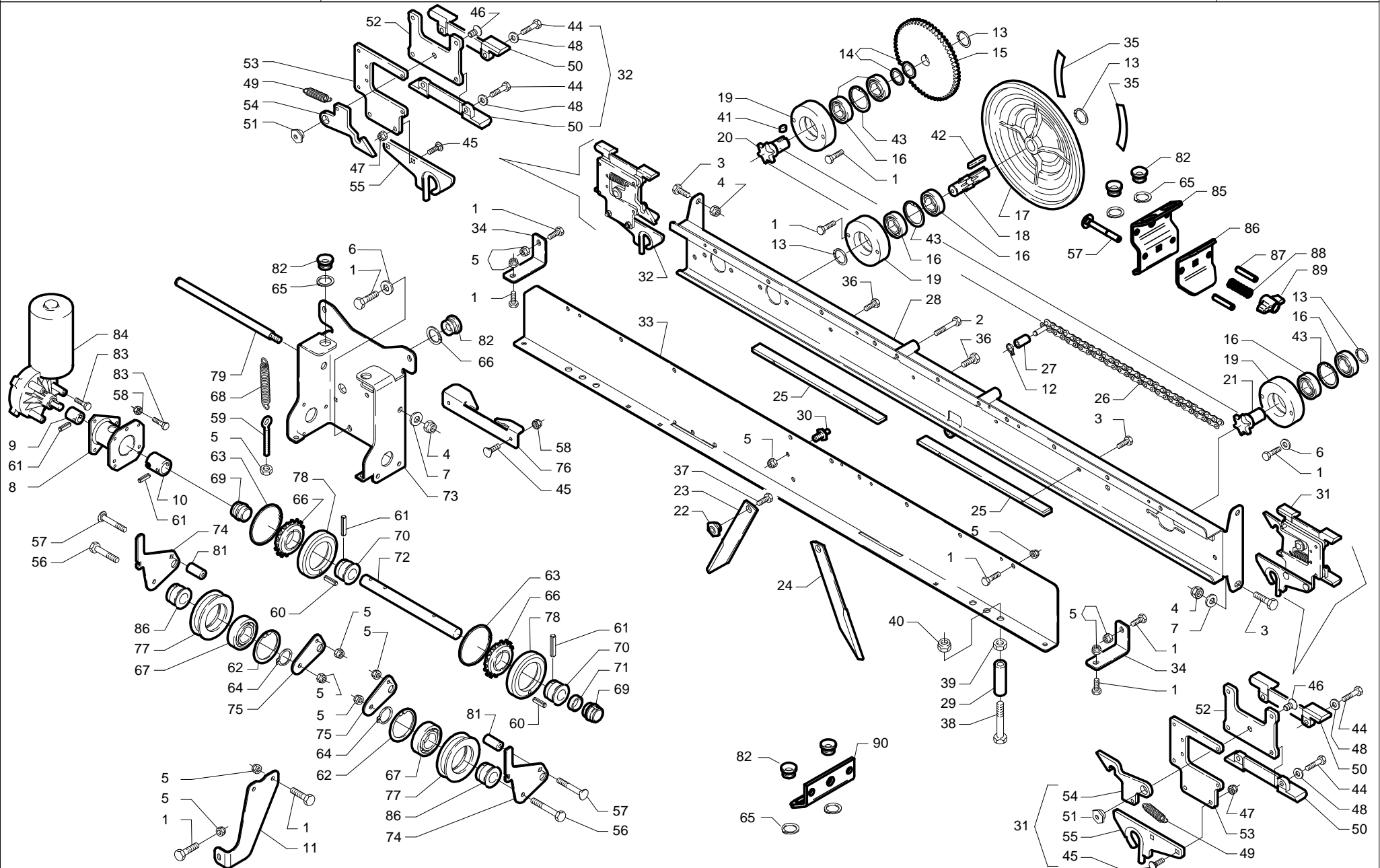


S.N.



Pos.	Code	Description	Quantity
41	027.099	GROOVE-AND-TONGUE JOINT 6X6X10 6604/A	1
42	027.104	GROOVE-AND-TONGUE JOINT 6X6X35 6604/A	1
43	028.001	SEEGER RING INT. D. 42 7437/472	3
44	020.013	SCREW TE M 6X25 8.8 ISO 4017 ZB	8
45	020.082	SCREW TTQST M 6X20 4.6 5731 ZB	6
46	020.678	SCREW TSPEI M 8X16 10.9 5933 ZB	2
47	021.101	SELF-LOCKING NUT M 6 7474 ZB	4
48	023.010	FLAT WASHER M6=6,3X12X1,6 6592 ZB	8
49	50005040	DRIVE SPRING 1,2X11,8X36,6 ZBD	2
50	50005048	SLIDING BLOCK (NYLON 66)	4
51	50005054	SPACER ZB	2
52	50005440	GUIDE 2007	2
53	50005441	EYES HOOKING	2
54	50005442	HOOK	2
55	50005444	WELD ASSY TWINE GUIDE WYE ZB	2
56	020.026	SCREW TE M 8X55 8.8 5737 ZB	2
57	020.736	SCREW TTQST M 6X50 4.6 5731 ZB	2
58	021.115	SELF-LOCKING NUT M6 7473 ZB	7
59	022.310	EYE OF TIE-ROD M8X60 RIGHT	2
60	024.342	ELASTIC PIN D. 6X16 6873 NE	2
61	024.344	ELASTIC PIN D. 6X30 6873 NE	4
62	028.010	SEEGER RING INT. D. 55 7437/472	2
63	028.022	SEEGER RING INT. D. 72 7437/742	2
64	028.110	SEEGER RING EXT. D. 30 7435/471	2
65	028.237	SEEGER RING EXT. D. 18 7436 (HEAVY)	4
66	033.300	FREE WHEEL JFI Z16-1/2"X1/8"	2
67	050.002	BEARING 6006-2RS	2
68	056.100	DRIVE SPRING (2X15X75) ZB	2
69	50005092	BUSHING	2
70	50005096	FREE WHEEL PIN ZB	2
71	50005100	SPACER	1
72	50005110	MOTOR SHAFT ZB	1
73	50005420	BINDING SYSTEM FRAME	1
74	50005421	TWINE PRESS LEVER WITH SPRING	2
75	50005422	TWINE PRESS LEVER	2
76	50005423	ANTI-EXIT PROFILE ZB	1
77	50005425	TWINE DRIVING SMALL WHEEL 2007	2
78	50005426	TWINE MOTOR SMALL WHEEL ZB	2
79	50005427	BINDING FRAME PIN	1
80	50005428	TWINE PRESS PIN	2

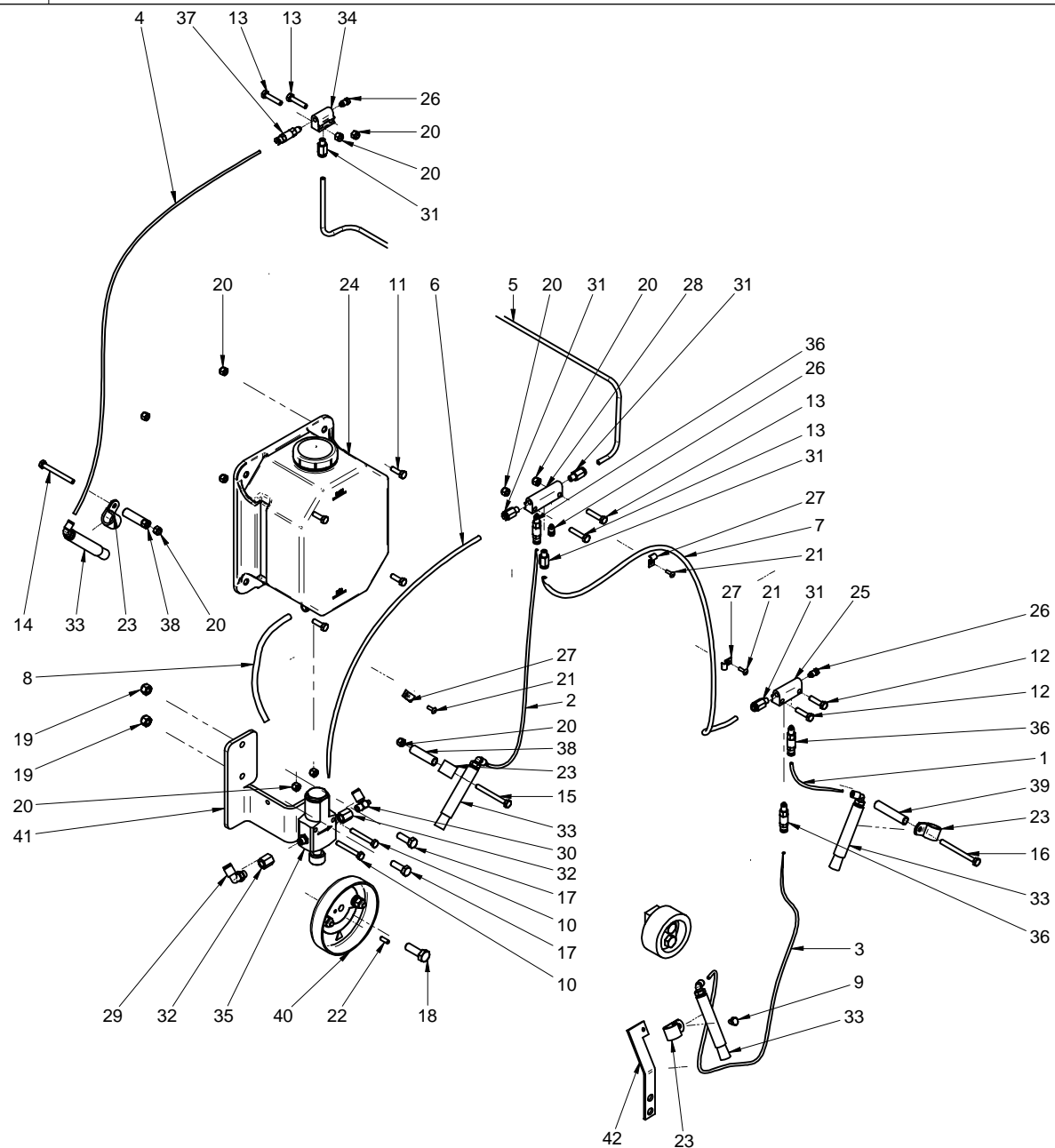
**S.N.**



S.N.

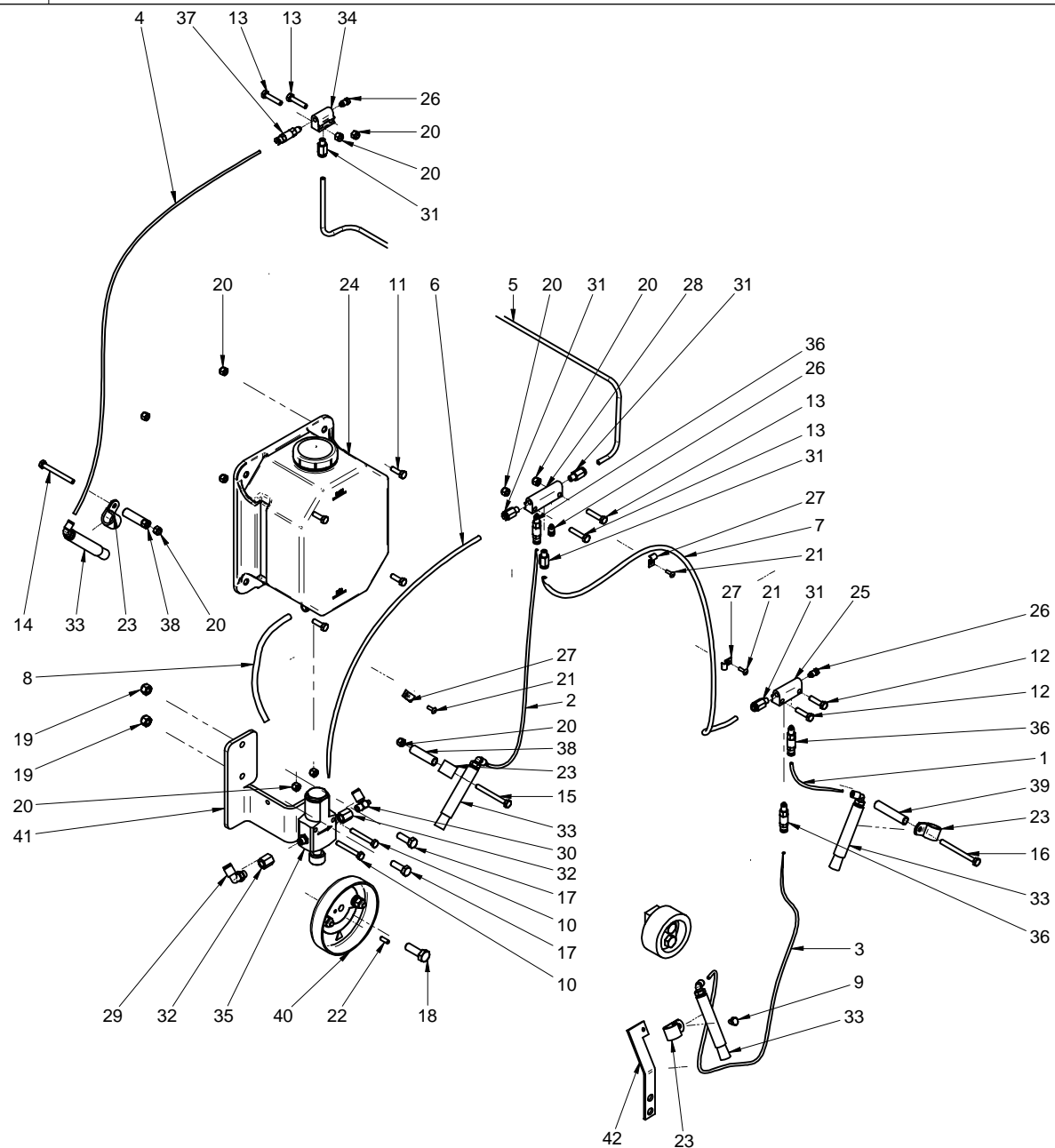
Pos.	Code	Description	Quantity
81	50005429	TWINES PRESS LEVER SPACER	2
82	54005180	TWINE GUIDING BUSHING	4
83	020.012	SCREW TE M 6X20 8.8 ISO 4017 ZB	6
84	076.455	MOTOREDUC. UNIT BONETTI 12V-180W-90RPM	1
85	50005174	TWINE BRAKE SUPPORT ZB	1
86	50005176	TWINE BRAKE ZB	1
87	024.405	EL. SPIR. PIN D. 10X30 6875 NE	1
88	50005178	SPRING ZB	1
89	52000728	HAND M6	1
90	50005170	TWINE DIVERTER ZB	1

**S.N.**

**S.N.**

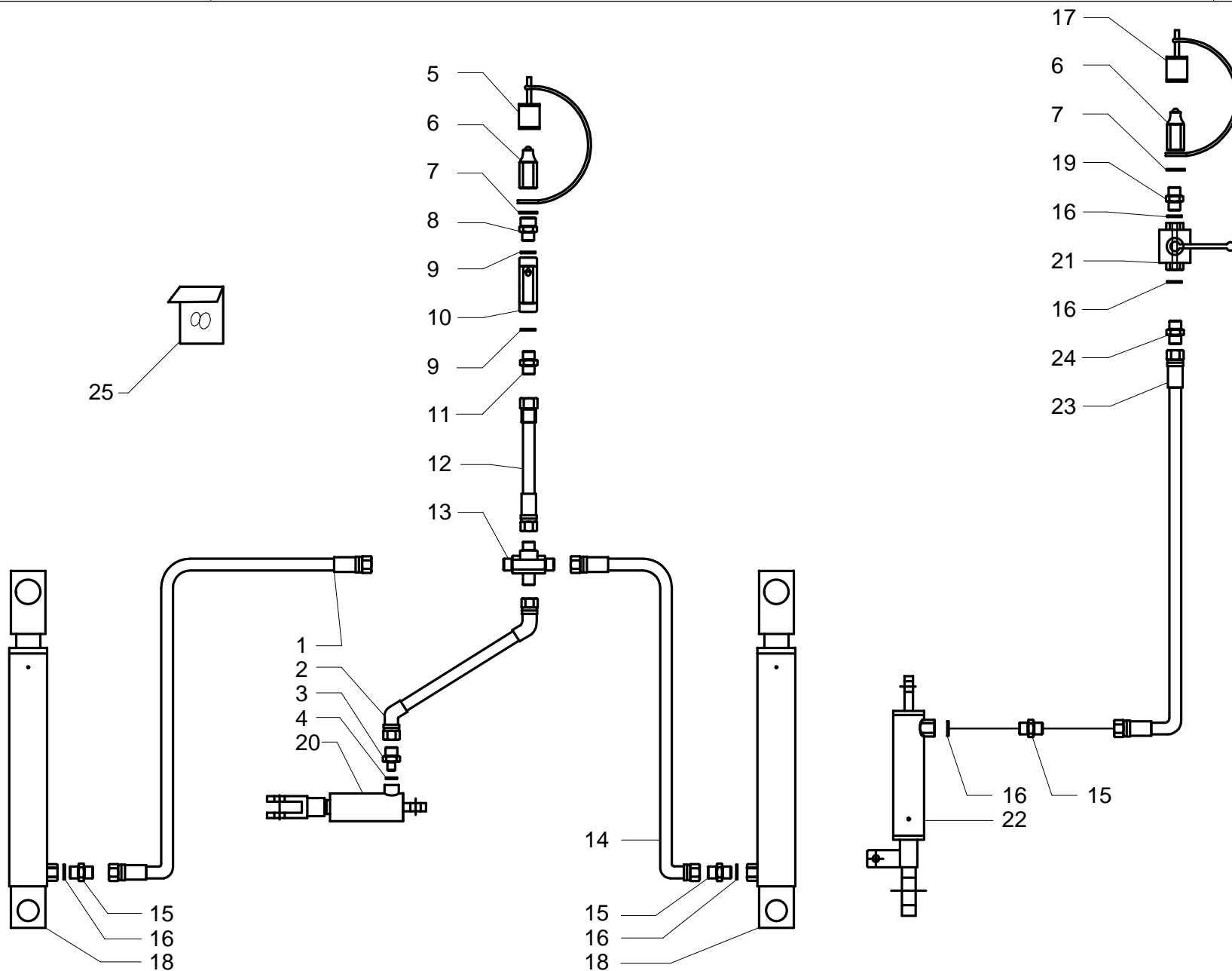
Pos.	Code	Description	Quantity
1	08543137	TUBE FOR LUBRICATION 4X2,5	1
2	08543137	TUBE FOR LUBRICATION 4X2,5	1
3	08543137	TUBE FOR LUBRICATION 4X2,5	1
4	08543137	TUBE FOR LUBRICATION 4X2,5	1
5	08543136	TUBE FOR LUBRICATION 6X3	1
6	08543136	TUBE FOR LUBRICATION 6X3	1
7	08543136	TUBE FOR LUBRICATION 6X3	1
8	08543138	TUBE FOR LUBRICATION 8X6	1
9	020.005	SCREW TE M 6X8 8.8 5739 ZB	1
10	020.007	SCREW TE M 6X45 8.8 5739 ZB	2
11	020.012	SCREW TE M 6X20 8.8 ISO 4017 ZB	4
12	020.013	SCREW TE M 6X25 8.8 ISO 4017 ZB	2
13	020.014	SCREW TE M 6X30 8.8 5739 ZB	4
14	020.020	SCREW TE M 6X60 8.8 ISO 4014 ZB	1
15	020.021	SCREW TE M 6X60 8.8 5739 ZB	1
16	020.022	SCREW TE M 6X70 8.8 5737 ZB	1
17	020.052	SCREW TE M 8X25 8.8 5739 ZB	2
18	020.102	SCREW TE M 10X30 8.8 5739 ZB	1
19	021.114	SELF-LOCKING NUT M8 7473 ZB	2
20	021.115	SELF-LOCKING NUT M6 7473 ZB	12
21	023.829	RIVET D4X12 ALUMINIUM	3
22	024.320	ELASTIC PIN D. 5X16 6873 NE	1
23	025.400	COLLAR RUBBER TUBE TIGHTENING"ABA"D.18	4
24	060.701	TANK 4L EXIT 90° D8	1
25	08543003	VALVE BLOCK 5/162 24UNF 2+2V	1
26	08543007	STOPPER (05.001.0)	3
27	08543025	TUBE-FASTENING CLAMP D=6mm	3
28	08543027	CONNECTION BLOCK (01.050.0)	1
29	08543037	PUSH-IN 90° 1/8" G-D8	1
30	08543038	PUSH-IN 90° 1/8" K-D6	1
31	08543039	PUSH-IN STRAIGHT 5/16" 24 UNIF-D6	5
32	08543045	FITTING F-F M10 - 1/8" NPT	2
33	08543046	BRUSH D20 H50	4
34	08543047	VALVE BLOCK 5/16" 24UNF 2+1 V	1
35	08543050	PUMP PS-R A ECCENTRIC CONTROL	1
36	08543052	VALVE DOS. N°2 5/16" 24 UNF-D4	3
37	08543053	VALVE DOS. N°3 5/16" 24UNF-D4	1
38	50003250	SHORT SPACER BRUSH	2
39	50003251	LONG SPACER BRUSH	1
40	50003252	CAM PS-R ZB	1

**S.N.**

**S.N.**

Pos.	Code	Description	Quantity
41	50003253	SUPPORT PUMP CORSA ZB	1
42	50003254	BRUSH SUPPORT CORSA	1

**S.N.**

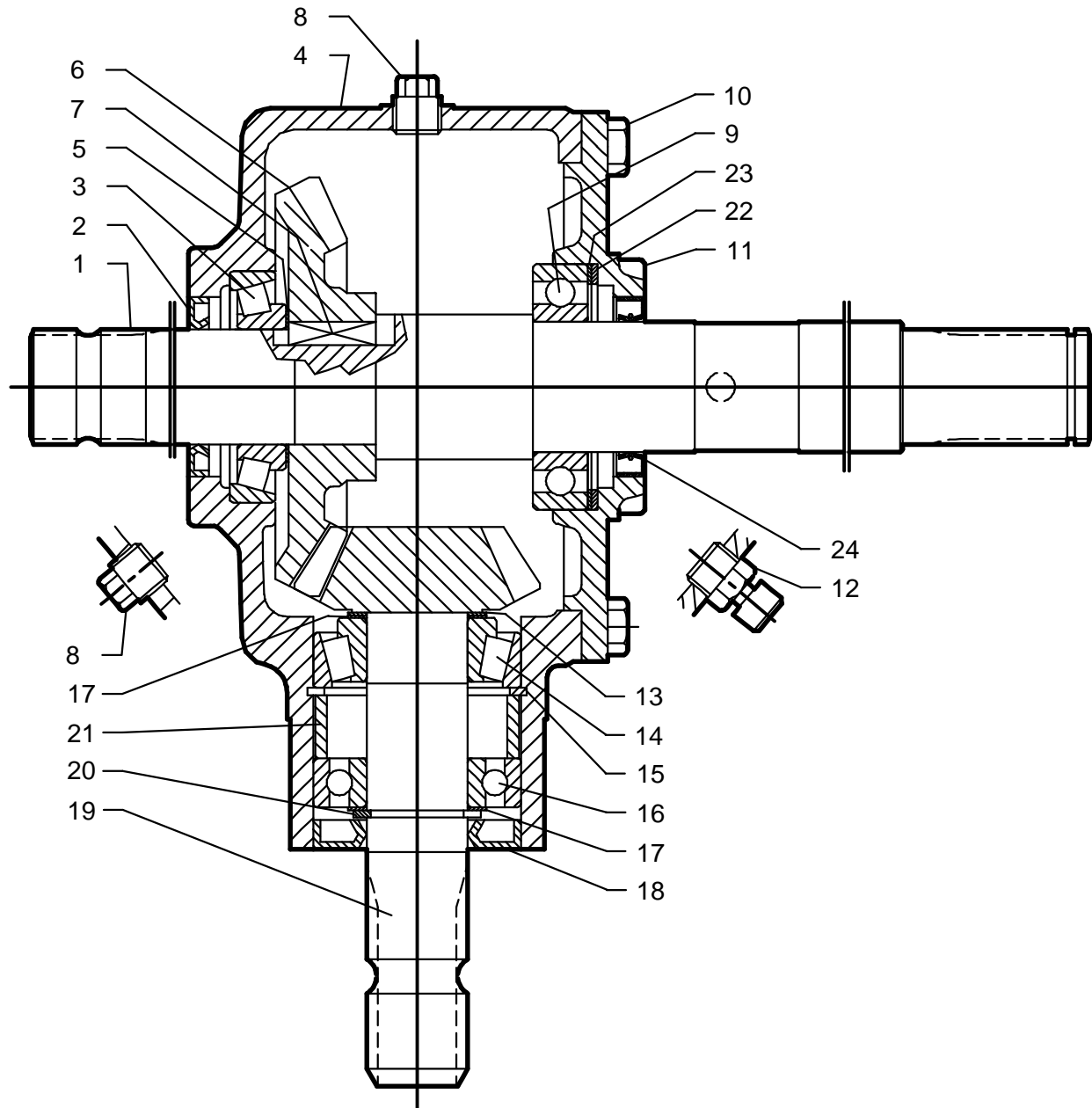


S.N.



Pos.	Code	Description	Quantity
1	50003632	FLEXPIPE R1AT CYLINDER LEFT	1
2	50003628	FLEXPIPE R1AT CLUTCH	1
3	060.203	NIPPLE 1/8"	1
4	060.407	COPPER WASHER 1/8"	1
5	095.023	CAP PL.FOR CONNec. RAP.M.-FEM.1/2" RED	1
6	060.380	FAST COUPLING MALE 1/2"	2
7	060.402	COPPER WASHER 1/2" 21,5X27X1,5	2
8	060.251	NIPPLE FOR REDUCTION 1/2"-3/8" ZN	1
9	060.401	COPPER WASHER 3/8" 17X23X1,5	2
10	061.019	CHECK VALVE, 1/4" NPT F, D. 2,5 ZB	1
11	060.250	NIPPLE FOR REDUCTION 3/8"-1/4" ZN	1
12	50003622	FLEXPIPE R1AT FEEDING	1
13	060.504	4-WAY ADAPTER WITH FIL. CONN. M1/4	1
14	50003624	FLEXPIPE R1AT CYLINDER RIGHT	1
15	060.199	NIPPLE 1/4"	4
16	060.400	COPPER WASHER 1/4" 13,5X19X1,5	5
17	095.053	CAP PL.FOR CONNec. RAP. M.-FEM.1/2" Y.	1
18	50003030	CYLINDER L=628	2
19	060.253	NIPPLE FOR REDUCTION 1/2"-1/4" ZN	1
20	50003010	CONNECTION CYLINDER	1
21	061.220	2 WAY SPHERICAL 1/4" VALVE	1
22	54006103	PICK-UP CYLINDER BLACK	1
23	50003612	FLEXPIPE R1AT PICK-UP	1
24	058.358	NIPLES ZN 1/4"-1/4"	1
25	062.626	SEAL KIT FOR CYLINDER 50003010	0
25	062.628	SEAL KIT FOR CYLINDER 50003030	0
25	062.632	SEAL KIT FOR CYLINDER 54006103	0

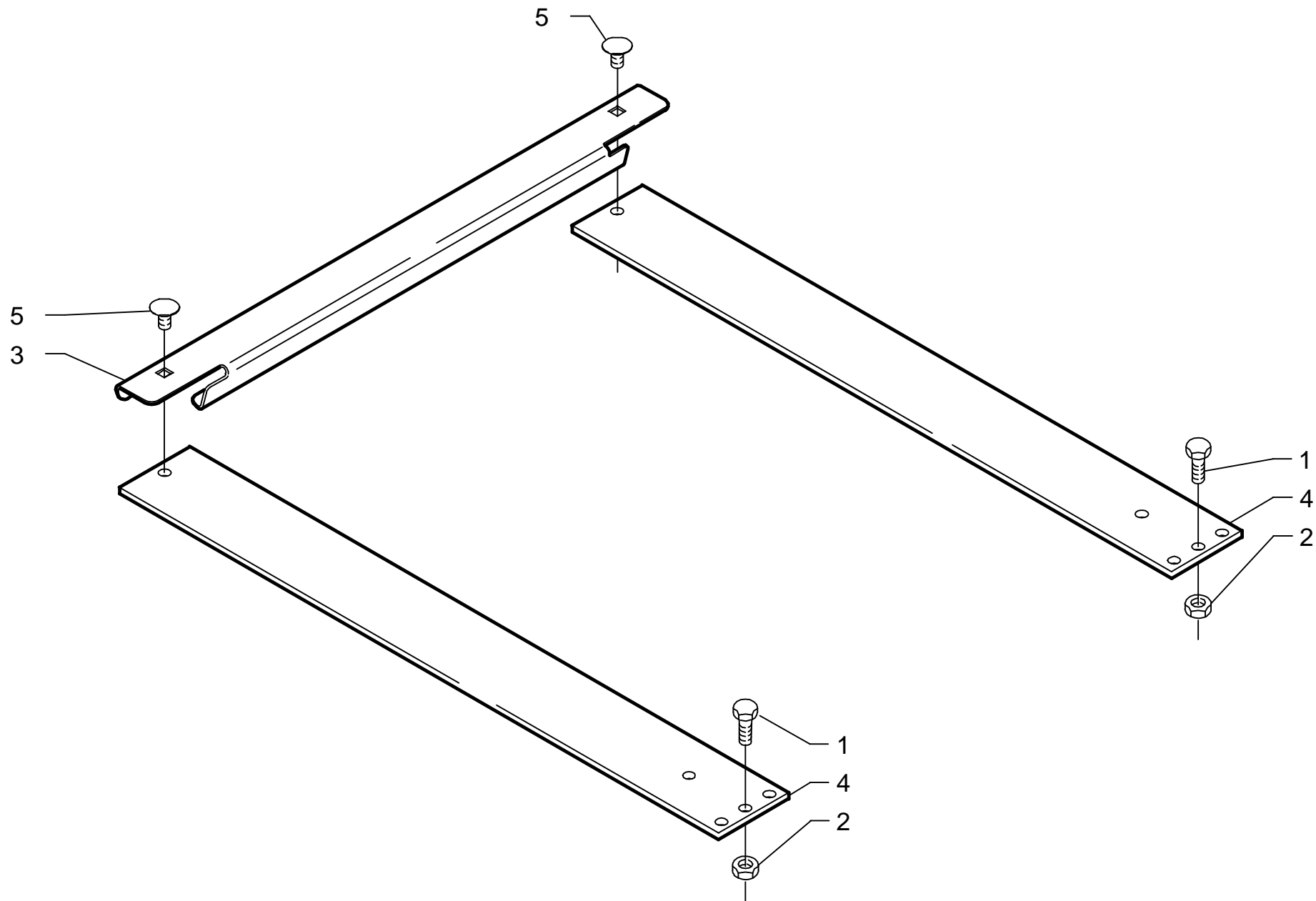
**S.N.**



S.N.

Pos.	Code	Description	Quantity
1	08500319	SHAFT	1
2	08500303	SEAL DIN 3760 A 40X62X7	1
3	08500308	BEARING 30208 40X80X19,75 354401040	1
4	08500304	BOX 0.304.0301.00	1
5	08500313	ADJ. SHIM 40,3X51,5 0.244.7500.00	1
6	08500301	CONICAL RING Z29 M5	1
7	027.399	GROOVE-AND-TONGUE JOINT 12X8X30 6604/A	1
8	08500307	PLUG 3/8" GAS	2
9	08500309	BEARING 6209 45X85X19 354100045	1
10	020.011	SCREW TE M 6X16 8.8 5739 ZB	8
11	08500305	OPEN COVER 0.304.1507.00	1
12	08500306	PLUG 3/8" GAS	1
13	08500314	ADJ. SHIM 48X35,3 0.259.7513.00	1
14	08500310	BEARING. 32207 35X72X24,25 354407035	1
15	028.022	SEEGER RING INT. D. 72 7437/742	1
16	08500311	SPHERICAL BEARING CLB 6207 8.0.1.00870	1
17	08500315	ADJ. SHIM 35,3X48 0.259.7500.00	2
18	08500320	SEAL DIN 3760 A 35X72X10	1
19	08500300	PINION SHAFT CON. Z15 M5	1
20	028.258	SEEGER RING EXT. D. 35 7436 (HEAVY)	1
21	08500316	SPACER 64,3X71,8X21,9	1
22	08500321	ADJ. SHIM 70,3X84,7X2	1
23	08500322	ADJ. SHIM 70,3X84,7	1
24	08500312	SEAL DIN 3760 A 45X62X10	1

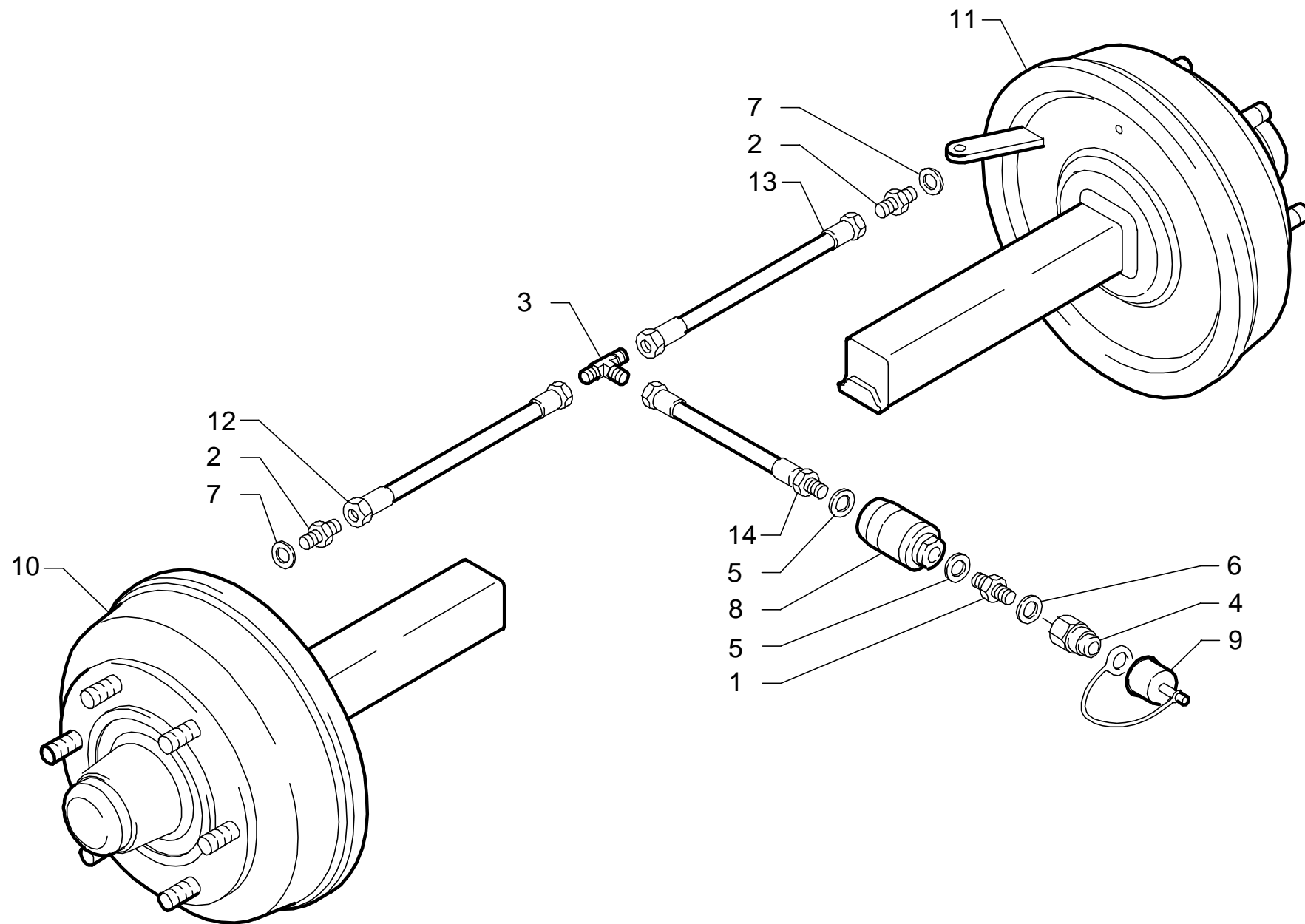
**S.N.**



S.N.

Pos.	Code	Description	Quantity
1	020.152	SCREW TE M 12X30 8.8 5739 ZB	2
2	021.104	SELF-LOCKING NUT M 12 7474 ZB	4
3	50000432	ANTI-THRUST CROSSBAR	1
4	54000428	MANE EJECTOR PLATE	2
5	54002378	SCREW TTQST M 12X30 SPECIAL	2

**S.N.**



S.N.

Pos.	Code	Description	Quantity
1	058.400	REDUCT NIPLES REDUCT ZN 1/2"-1/4"	1
2	058.604	NIPPLE M-M M10X1,25 1/4" GAS	2
3	060.187	T SHAPED JOINT 1/4" M-M-M	1
4	060.380	FAST COUPLING MALE 1/2"	1
5	060.400	COPPER WASHER 1/4" 13,5X19X1,5	2
6	060.402	COPPER WASHER 1/2" 21,5X27X1,5	1
7	060.407	COPPER WASHER 1/8"	2
8	061.026	ONE WAY NEEDLE VALVE 1/4"	1
9	095.023	CAP PL.FOR CONNec. RAP.M.-FEM.1/2" RED	1
10	50001746	WELD ASSY HUB WITH BRAKE RIGHT	1
11	50001747	WELD ASSY HUB WITH BRAKE LEFT	1
12	54003922	TUBOFLEX R1 AT 1/4" (RIGHT BRAKE)	1
13	54003923	TUBOFLEX R1 1/4" (LEFT BRAKE)	1
14	54003924	TUBOFLEX R1 AT 1/4" (BRAKE FEEDING TUBE)	1

**S.N.**



**MASCAR S.p.A.**

Via Roma, 82 - 36040 Grumolo delle Abbadesse (Vicenza) Italy

Tel +39 0444 380180 - Fax +39 0444 583831 - 380185

E-mail : [info@mascar.it](mailto:info@mascar.it)